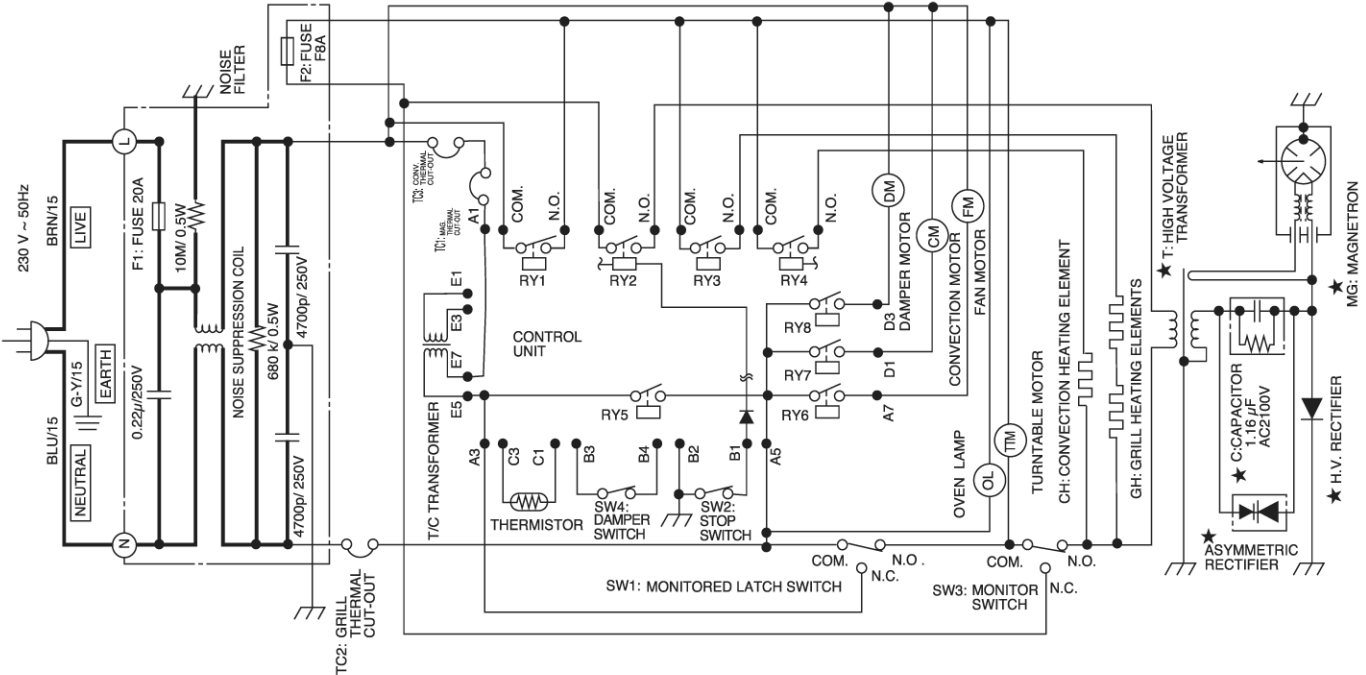


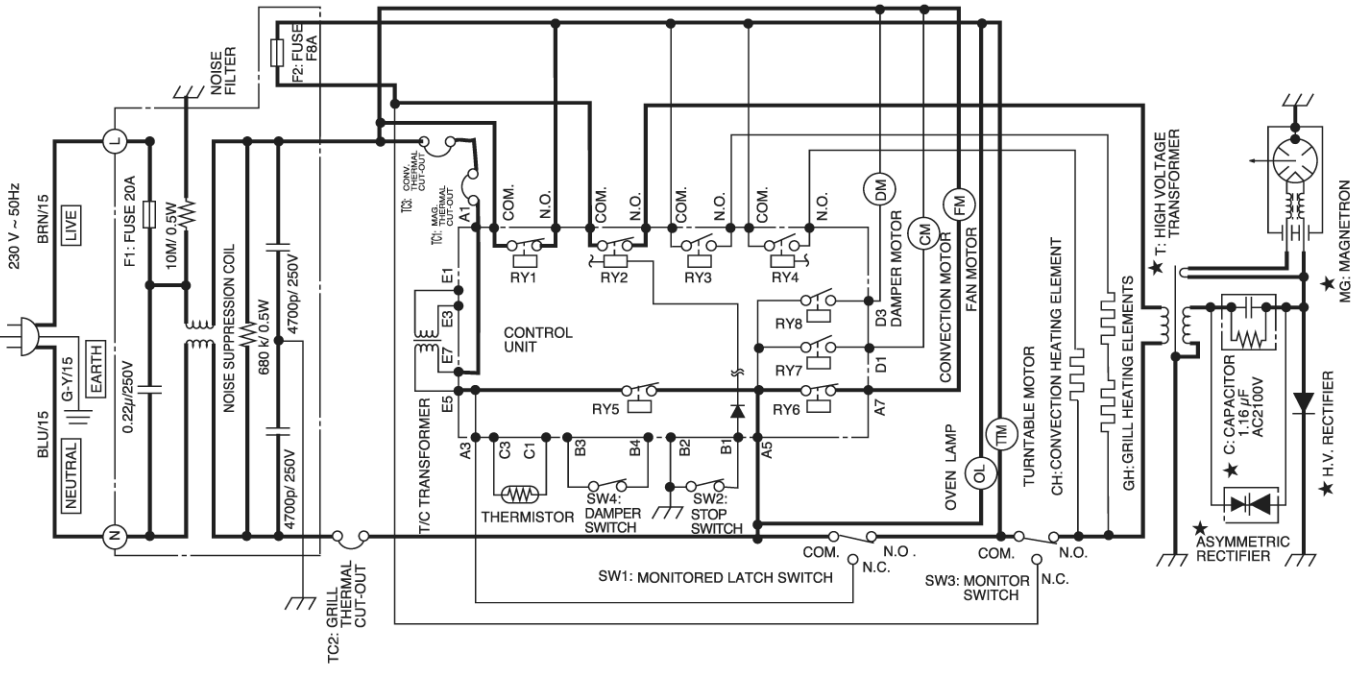
SCHEMATIC
 NOTE: CONDITION OF OVEN
 1. DOOR CLOSED.
 2. PLUGGED IN OVEN.
 3. NOTHING APPEARS ON DISPLAY.

Note:
 AC CORD CONNECTION
 BRN/15 : BROWN
 BLU : BLUE
 G-Y : GREEN AND YELLOW STRIPE
 /15 : SECTIONAL AREA OF 1.5mm² MIN.
 "★" Indicates components with potential above 250 V.



Oven Schematic-Off Condition right after the oven is plugged in.

SCHEMATIC
 NOTE: CONDITION OF OVEN
 1. DOOR CLOSED.
 2. "SELECTED LANGUAGE APPEARS ON DISPLAY."



Oven Schematic-Off Condition when the oven door is opened.