

SCHMATIC

NOTE: CONDITION OF OVEN

1. DOOR CLOSED.
2. COOKING TIME ENTERED.
3. DUAL MODE PAD TOUCHED ONCE.
4. CONVECTION TEMPERATURE SELECTED.
5. MICROWAVE POWER LEVEL SELECTED.
6. STRAT KEY TOUCHED.

Note:

AC CORD CONNECTION

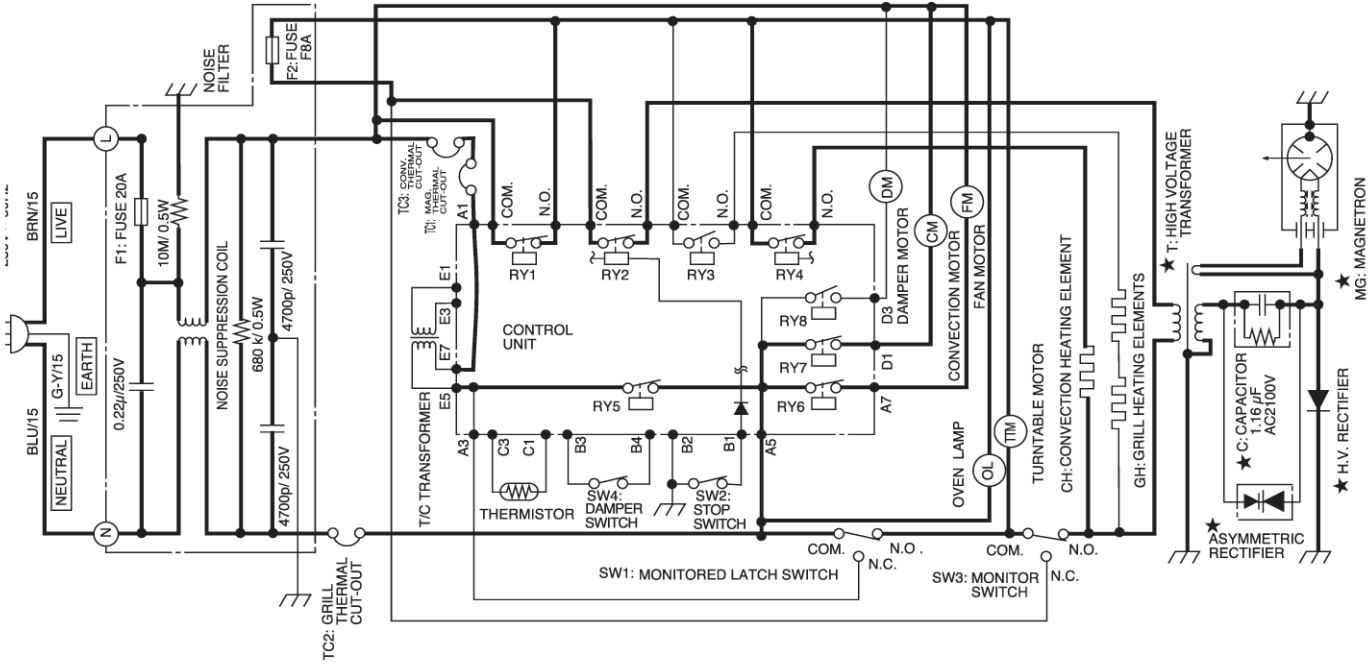
BRN : BROWN

BLU : BLUE

G-Y : GREEN AND YELLOW STRIPE

/15 : SECTIONAL AREA OF 1.5mm² MIN.

★ Indicates components with potential above 250 V.

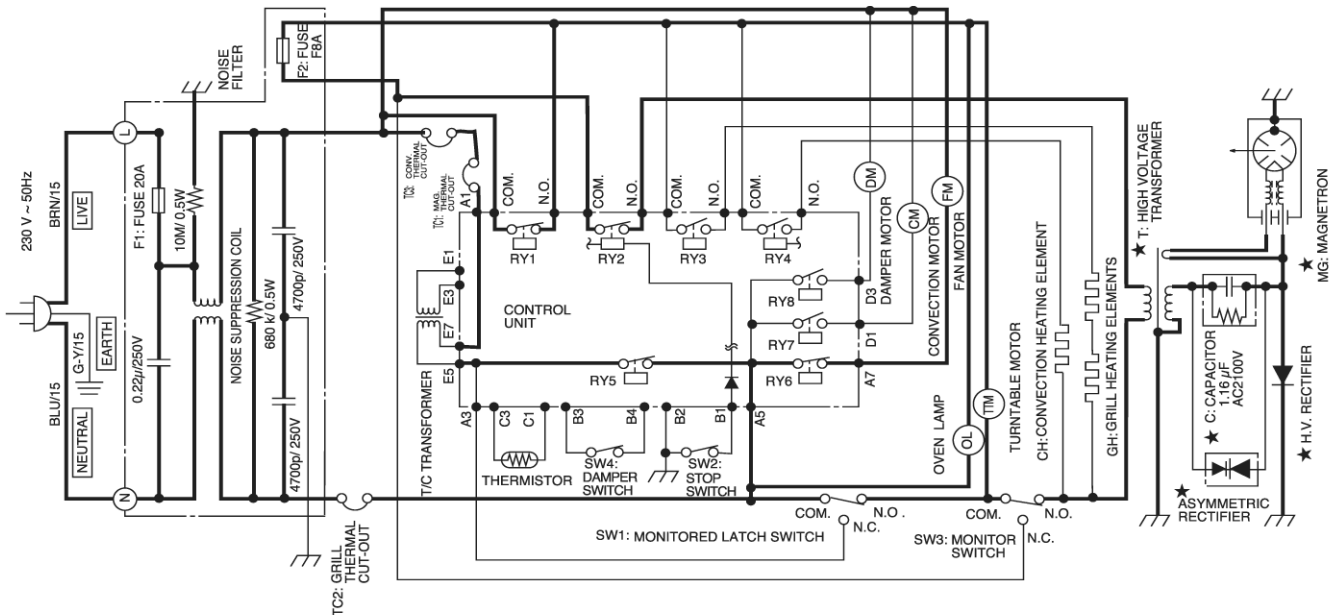


Oven Schematic-Dual cooking Condition (Microwave and Convection)

SCHMATIC

NOTE: CONDITION OF OVEN

1. DOOR CLOSED.
2. COOKING TIME ENTERED.
3. DUAL MODE PAD TOUCHED TWICE.
4. MICROWAVE POWER LEVEL SELECTED.
5. STRAT KEY TOUCHED.



Oven Schematic-Dual cooking Condition (Microwave and Grill)