

*INDICATES COMPONENTS WITH
POTENTIAL ABOVE 250V

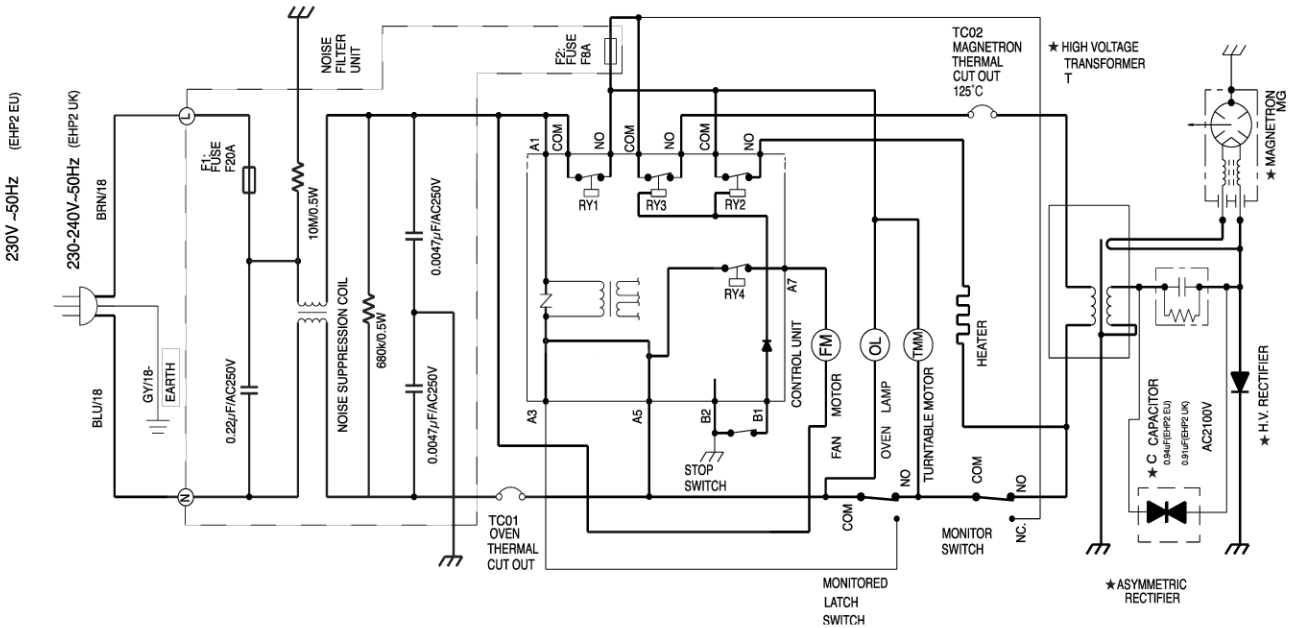


Figure 0-2 Oven Schematic-ON Dual Cooking Condition, (Microwave and Grill mode).