

230V ~ 50Hz (EU)

230-240V ~ 50Hz (UK)

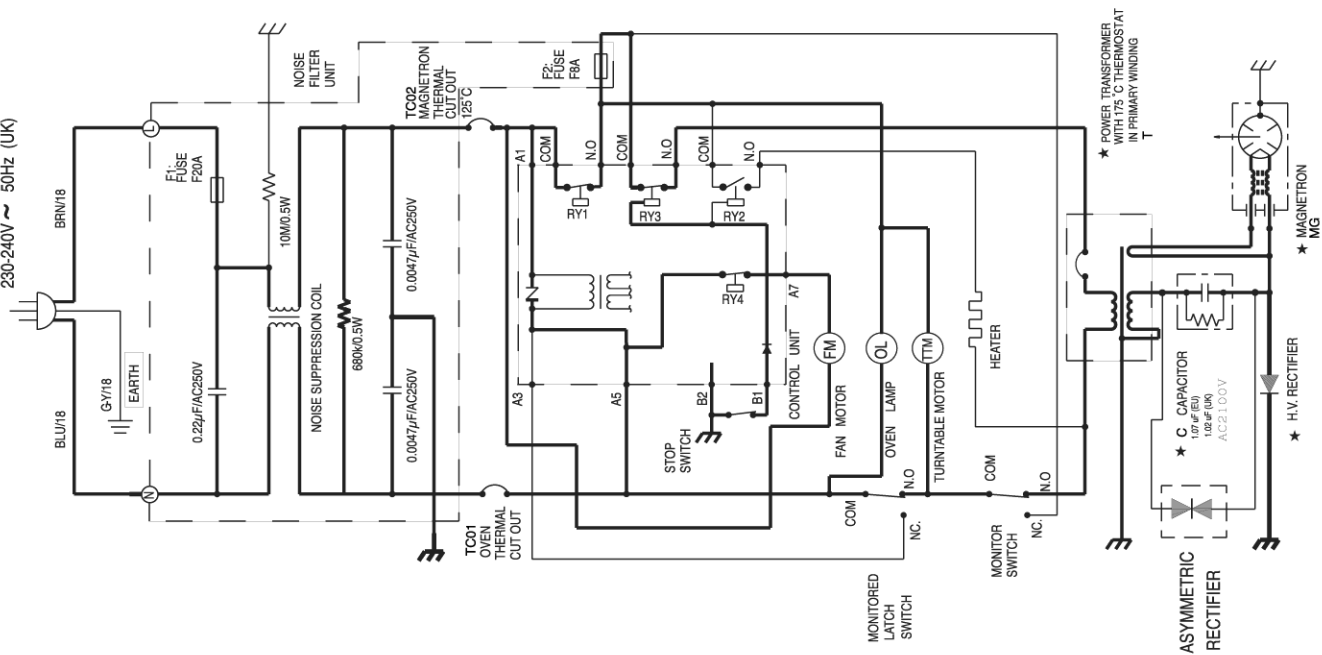


Figure 0-2 Oven Schematic-ON Condition, Door Closed (Microwave Cooking)