

*INDICATES COMPONENTS WITH
POTENTIAL ABOVE 250V

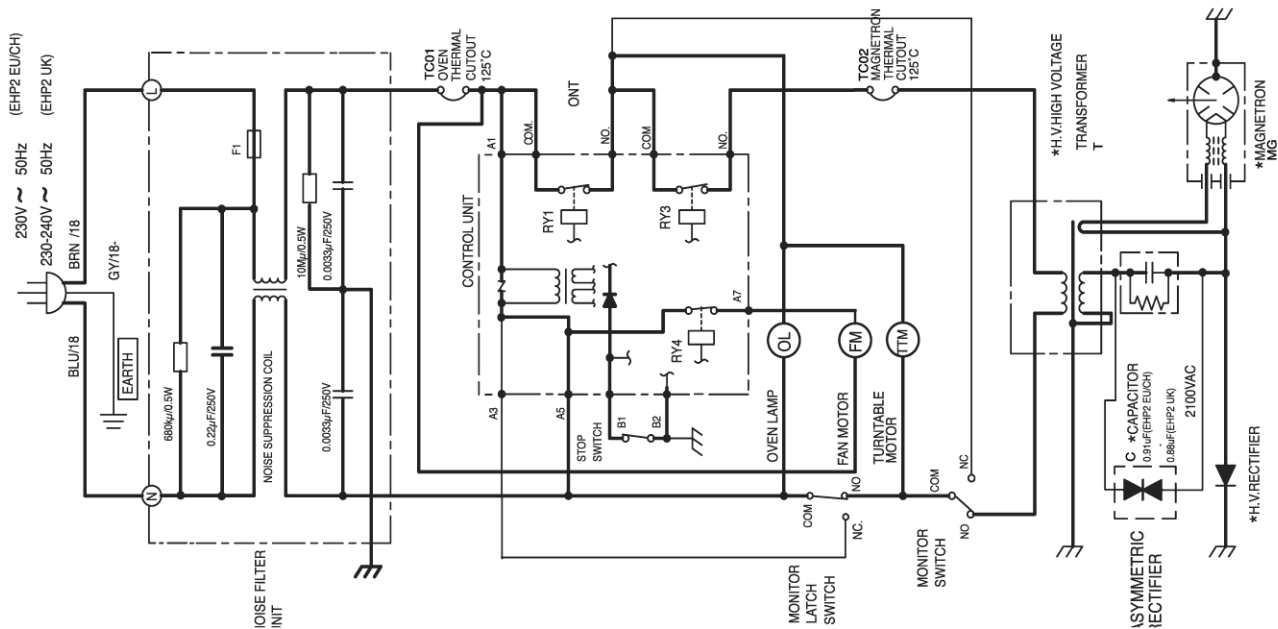


Figure 0-2 Oven Schematic-ON Condition, Door Closed.