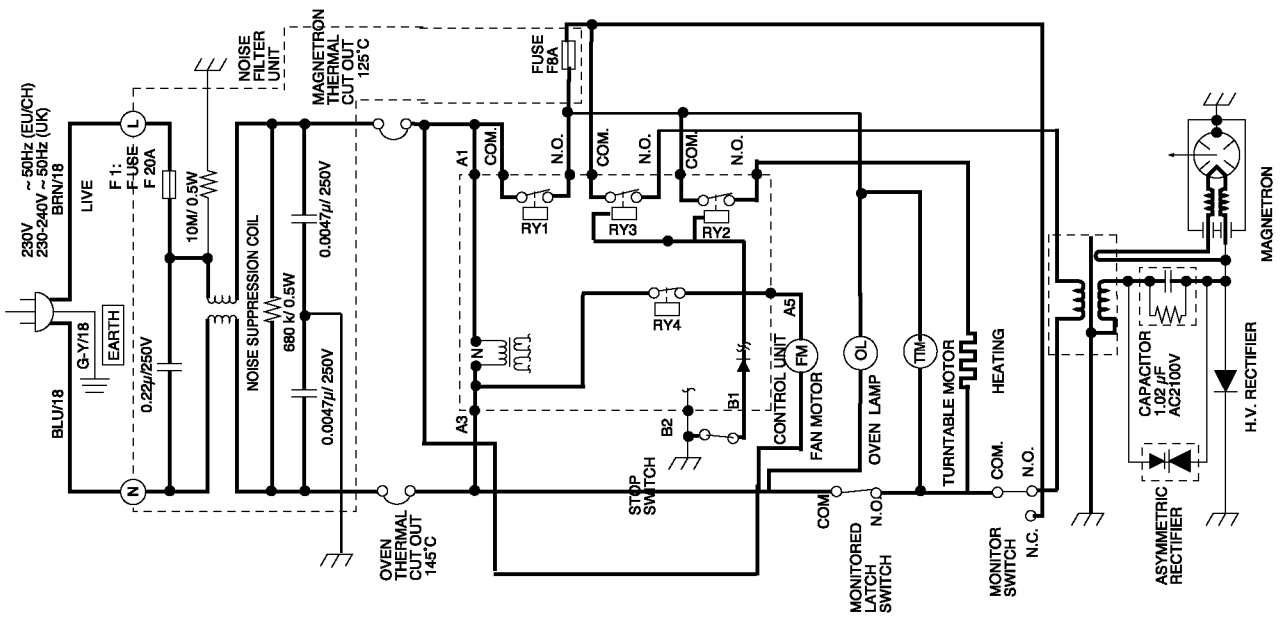


Oven Schematic-ON Condition, Door Closed (Grill cooking)



Oven Schematic-ON Condition, Door Closed (Dual Cooking)