

Figure 0-1 Oven Schematic-Off Condition, Door Closed.

\*INDICATES COMPONENTS WITH POTENTIAL ABOVE 250V

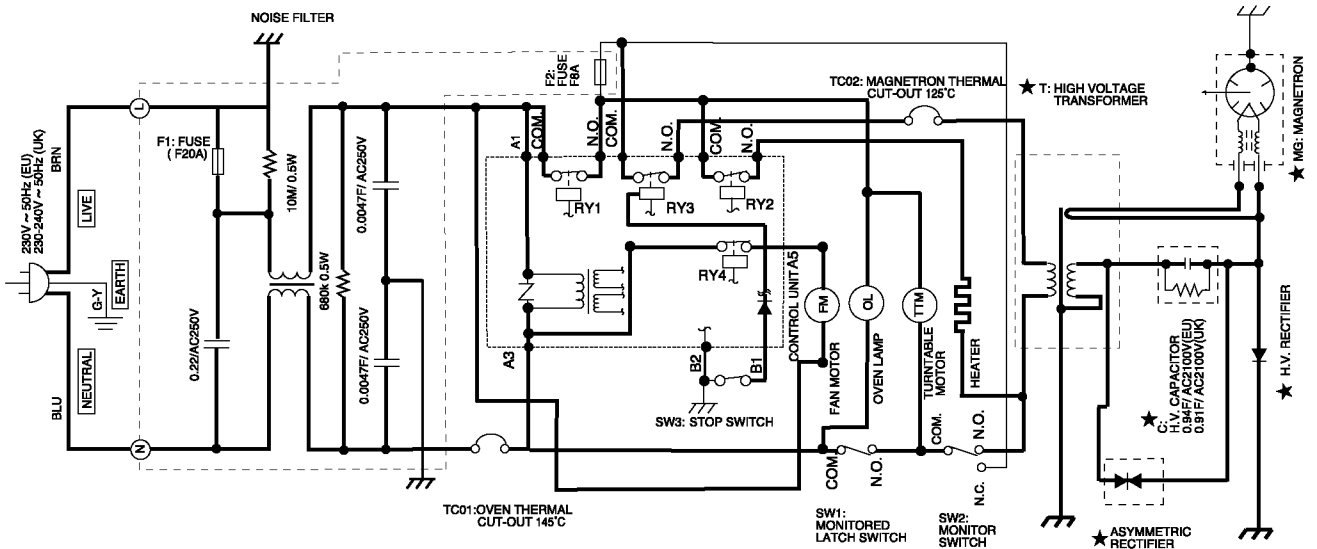


Figure 0-2 Oven Schematic-ON Dual Cooking Condition, (Microwave and Grill mode).