

SCHEMATIC DIAGRAMS

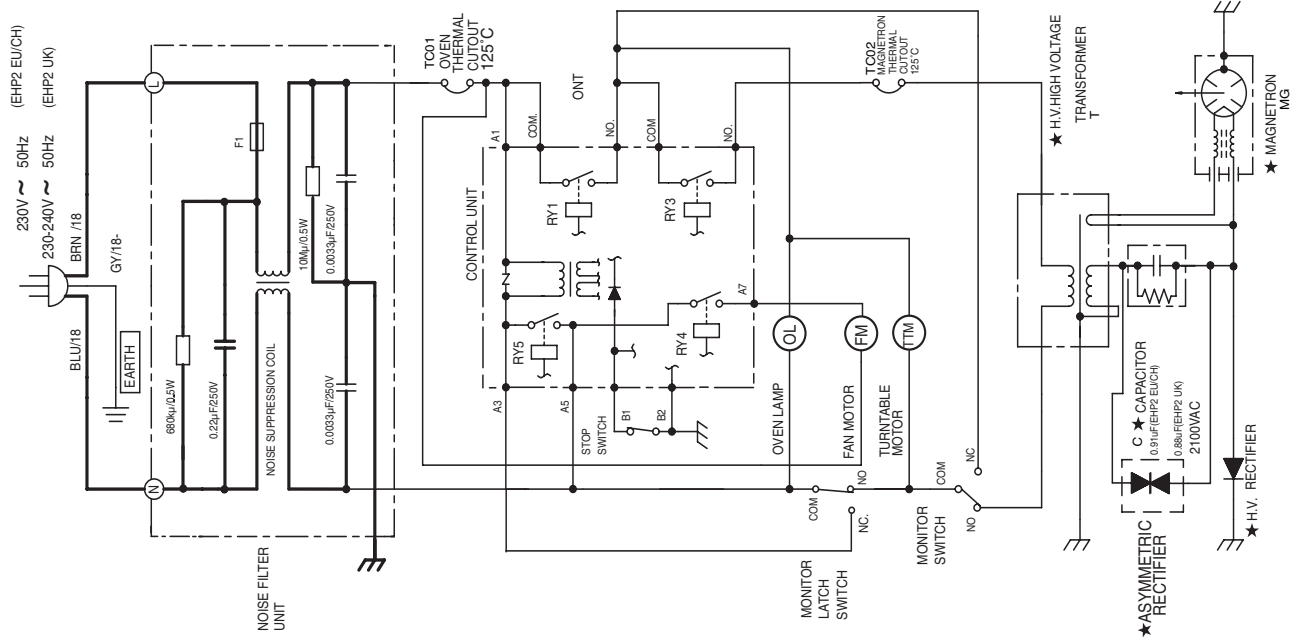


Figure 0-1 Oven Schematic-OFF Condition, Door Closed.

*INDICATES COMPONENTS WITH POTENTIAL ABOVE 250V

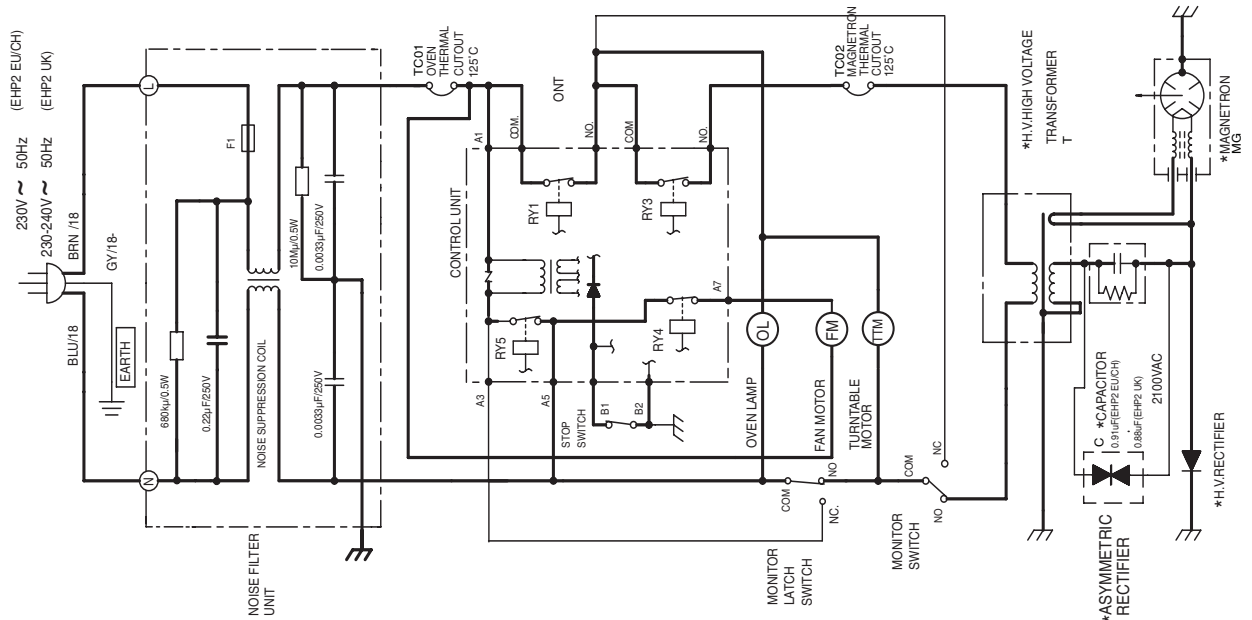


Figure 0-2 Oven Schematic-ON Condition, Door Closed.