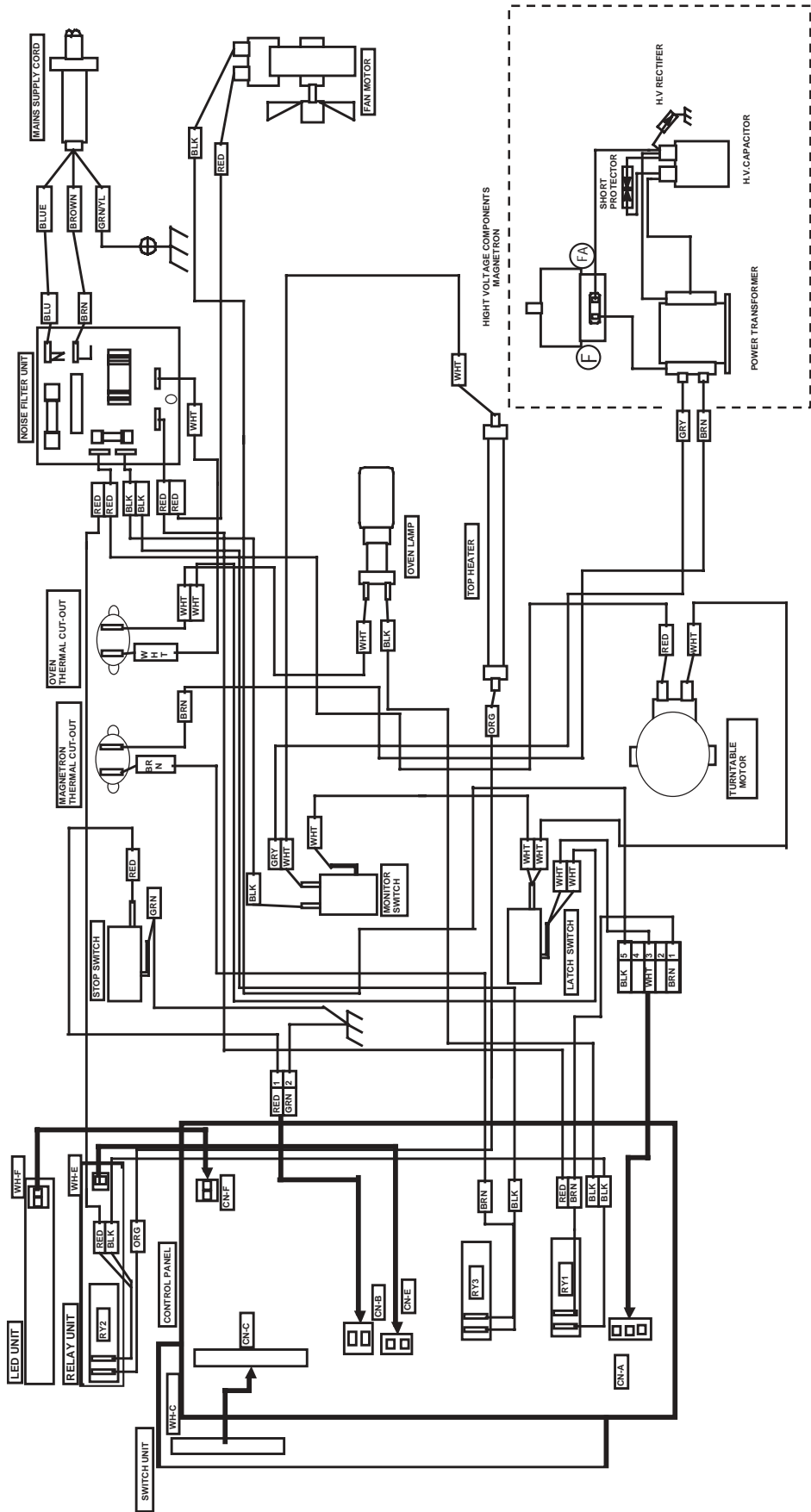


PICTORIAL DIAGRAM



Pictorial Diagram