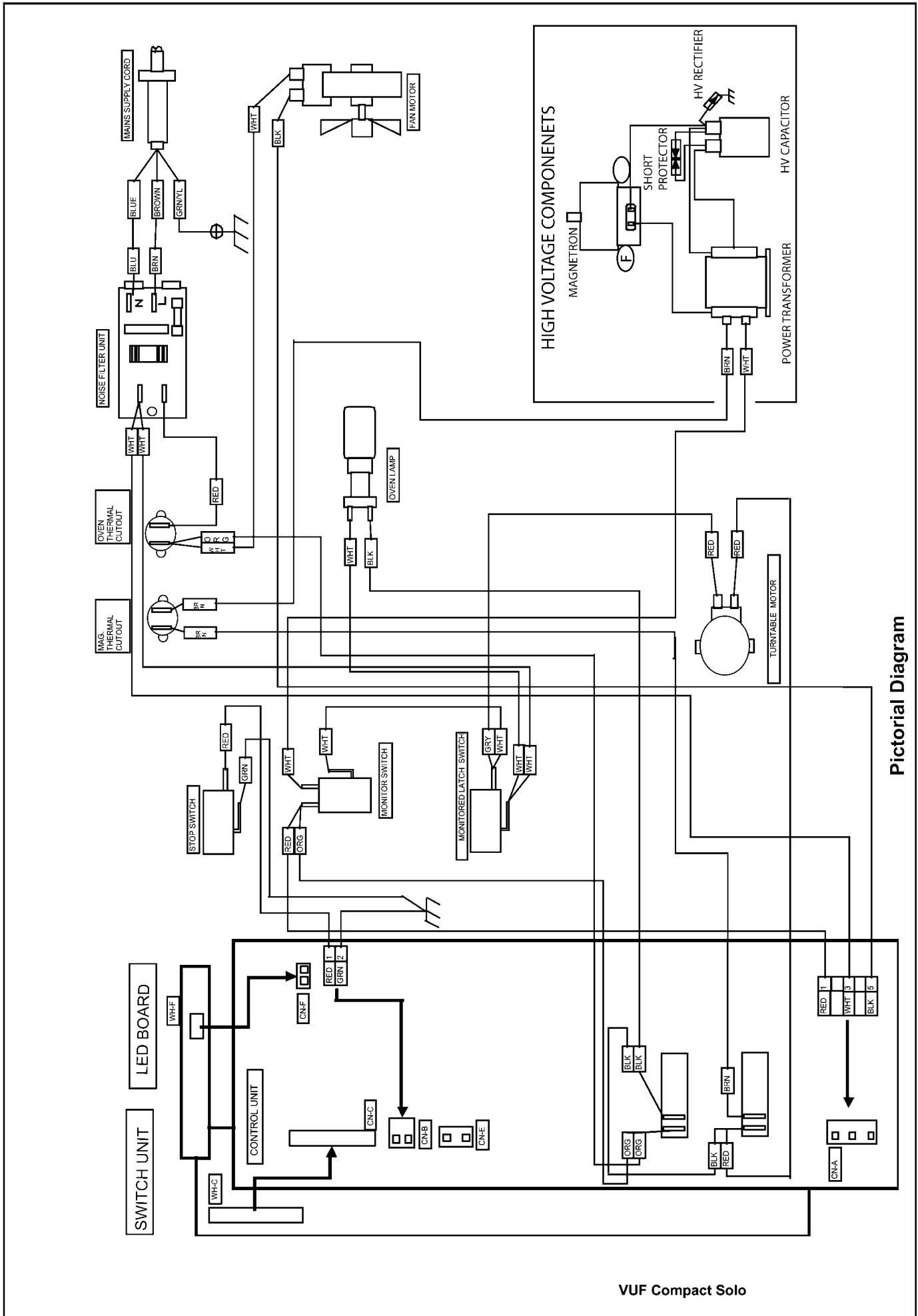


# PICTORIAL DIAGRAM



Pictorial Diagram