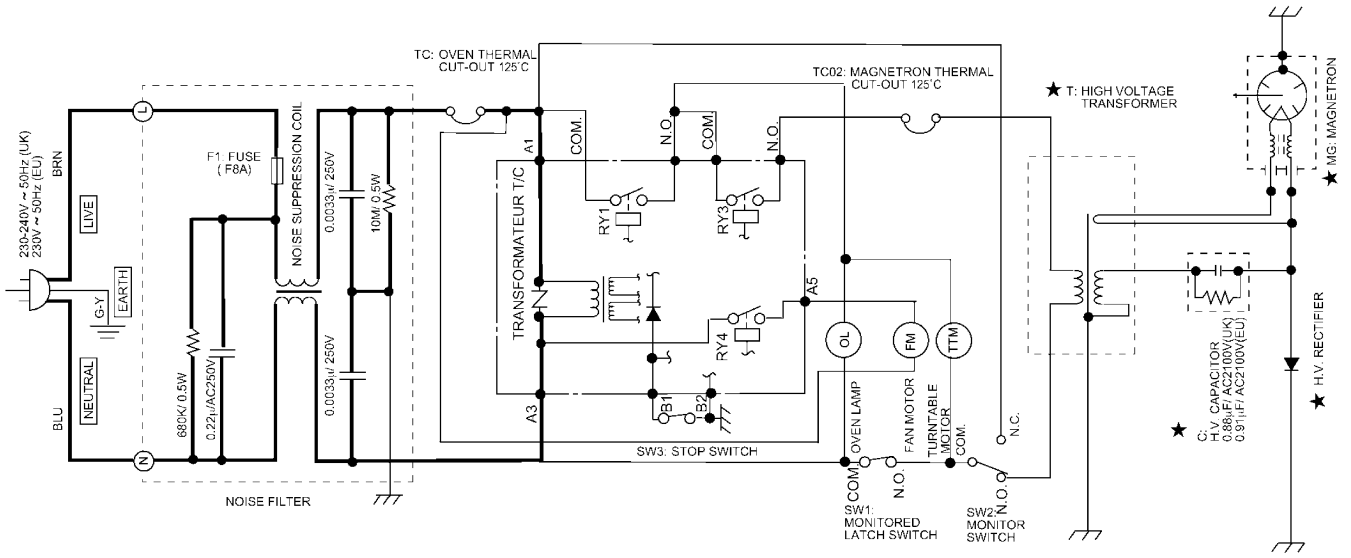
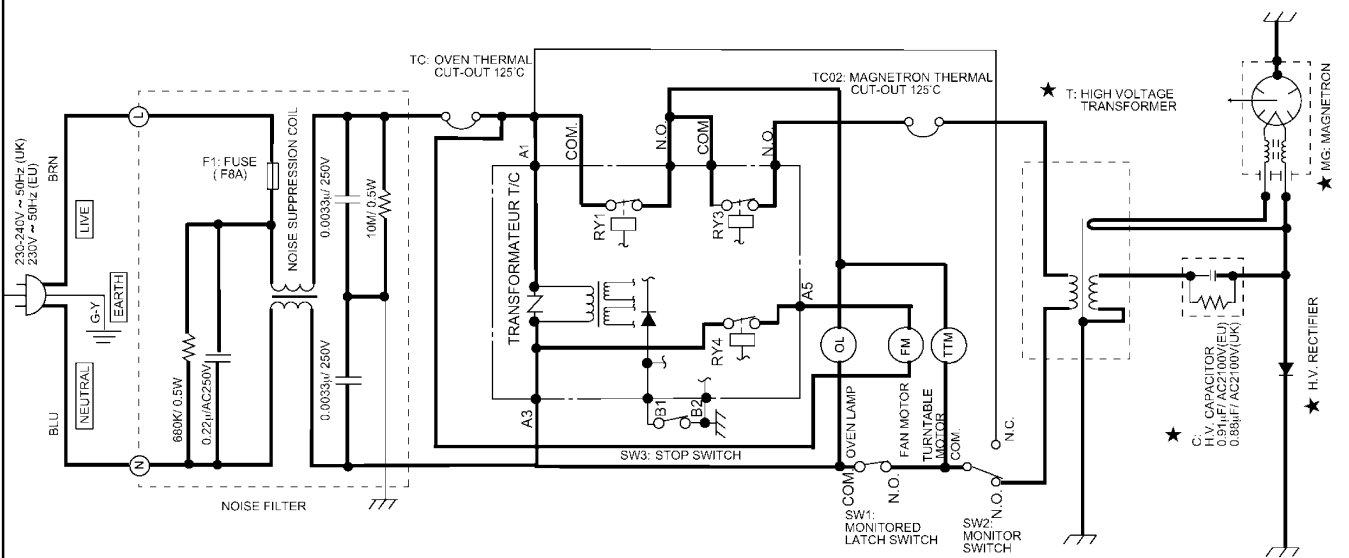


SCHEMATIC DIAGRAMS



Oven Schematic-OFF Condition, Door Closed.

*INDICATES COMPONENTS WITH POTENTIAL ABOVE 250V



Oven Schematic-ON Condition, Door Closed.