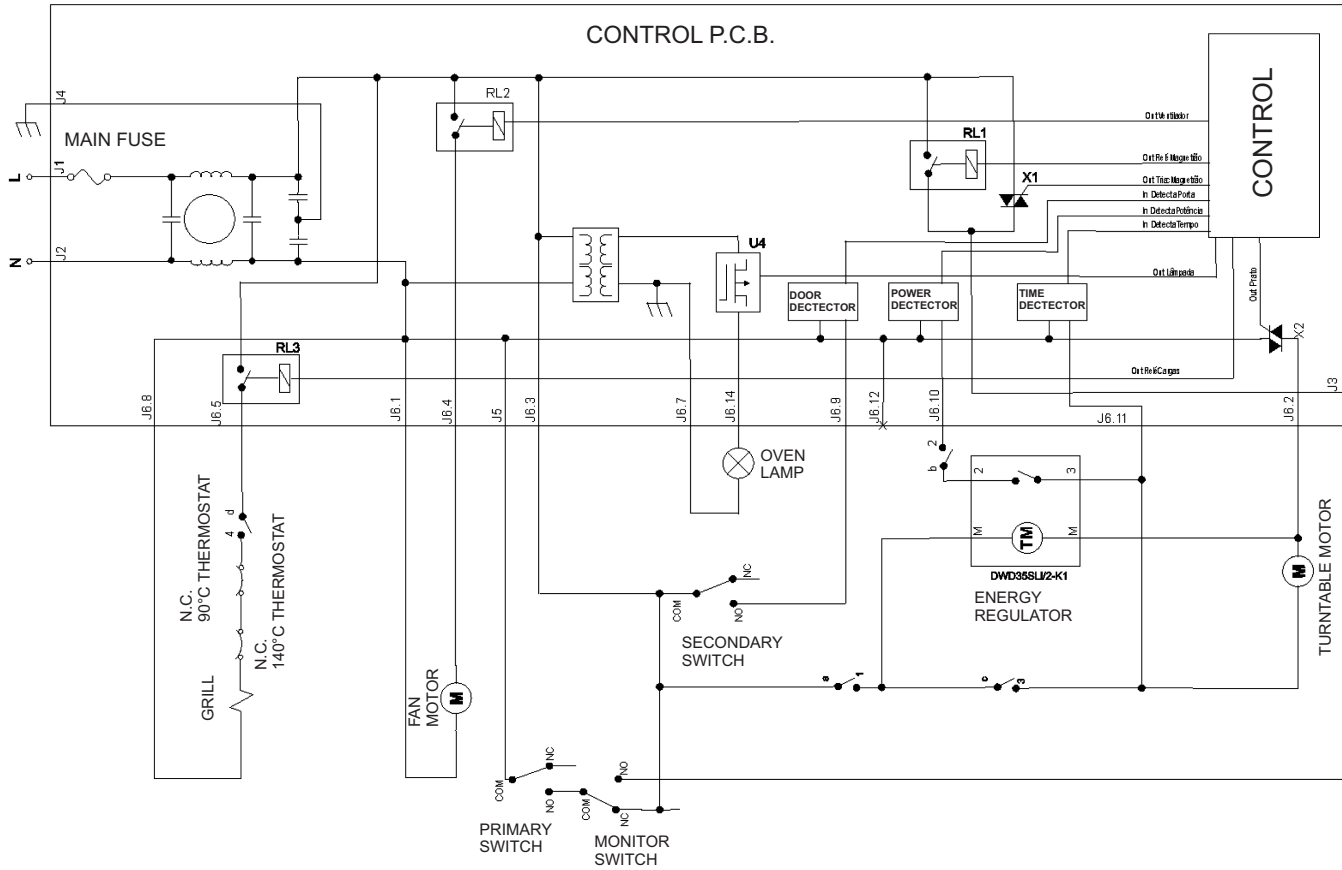
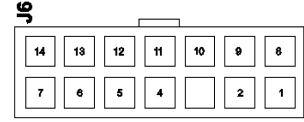


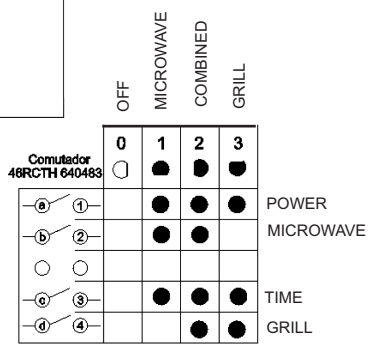
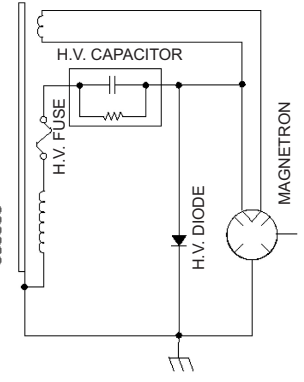
230 - 240V 50Hz



NOTE : THE MICROSWITCS ARE IN OPEN DOOR SITUATION



H.V. TRANSFORMER



ZNF 21X TEKA