

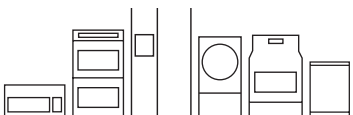
**PNC****ELC****Brand****Category****Model**

Electrolux

Water Cooler

EYD01224WC

# EYD01224WC



# Safe using instructions

## SAFETY INSTRUCTIONS

---

### INSTALLATION

- Obey the installation instruction supplied with the appliance.
- Remove All the Packing items.
- Do not install or use a damaged appliances.
- Before first time starting up, check the appliance for any damage incurred during transport.
- Never remove or damage stickers, warning labels or nameplates attached to the appliance.

### WATER CONNECTION

- Make sure to use a new water bottle.
- Make sure the water bottle not faulty - no leakage or holes.
- Make sure to install the bottle as in Catalogue.
- Make sure to use the proper capacity ( $\leq 20$ ) litre for the water bottle.

### ELECTRICAL CONNECTION



**WARNING!** Risk of fire and electrical shock.

- The appliance must be earthed.
- Make sure that the electrical information on the rating plate agrees with the power supply. If not, contact our Authorised Service Centre or an electrician.
- Make sure the appliance is installed correctly. Loose and incorrect electricity mains cable or plug (if applicable) can make the terminal become too hot.
- Do not use multi-plug adapters and extension cables.
- Make sure not to cause damage to the mains plug (if applicable) or to the mains cable. Contact our Authorised Service Centre or an electrician to change a damaged mains cable.

## Functional Characteristics

- 1 Tripolar plug, Machine electric leadkage preventable  
.
- 2 Pressure relief valve, backflow prevention and the high pressure.
- 3 Thermostat, clockwise rotation can be adjusted to cooling temperature.
- 4 Heating tube, heating the water in the tank  
.
- 5 Temperature limiter, over-temperature protection, prevention of thermostat failure  
.

# Installation method

## INSTALLATION

### PLACEMENT



**WARNING!** Do not install the water dispenser in a location where there is a direct impact of sunlight or near heat sources, as a stove, oven, etc



Use the appliance indoors, where is no likelihood of rain or bad weather, as there is damage risk to the product electrical system.

The product must be installed in an easily accessible location in case of repairs.

Put the appliance on a flat surface and keep a minimum distance of 25 cm from the wall. Make sure that the ventilation openings of the product are not being obstructed.

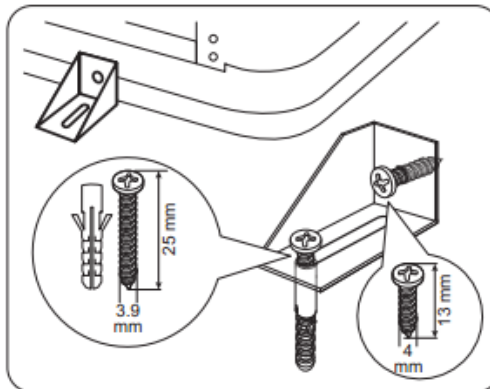


**WARNING!** To avoid a hazard due to instability of the appliance, it must be fixed in accordance with the instructions.

1. Use 13 mm screw to fix the fixing bracket on the middle of bottom cover.
2. Drill out a screw hole(6 mm) on the floor.
3. Insert a screw anchor (wall plug) into the drilled hole.
4. Move water dispenser, Align fixing bracket hole with screw hole of the floor
5. Put the 25mm screw into the screw hole of fixing bracket.
6. Tighten the screw.



All fixing accessories provided with the appliance

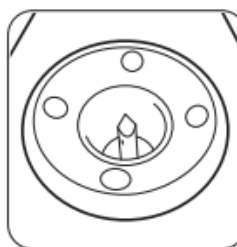


### INSTALLING THE WATER BOTTLE

Before putting the water bottle:

1. Clean the inside of the water cooler, where the water bottle is placed, with warm water and mild detergent and sterilize as indicated in Care and cleaning section.
2. Clean and sterilize also the water bottle, especially the part that will be inside the water cooler.
3. Leave the protective plastic cap on the bottle, where The product has a hole punch.

If the user prefers not to use the hole punch, you can pull it off. Follow the next instructions:



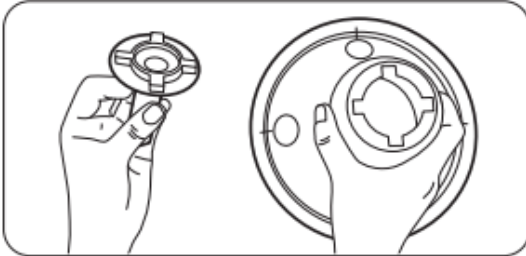
Remove the top cover with the hole punch.



Turn clockwise the hole punch to fit it in tears.



Remove the hole punch.



Replace the lid on the water dispenser.

Place the water bottle at the water cooler and make sure that it is well docked.



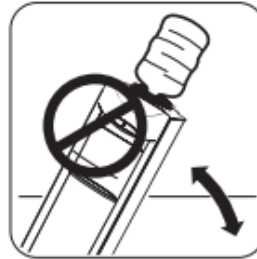
This product was developed to be used with bottles of 10 or 20 litres.



Depending on the maker and model of the water bottle, there may be some variation in size. Check, during installation of the bottle, that it is well supported and stable, and there is no risk of falling.



**WARNING!** Never turn the appliance upside down or tilt it more than 45°.



#### ELECTRICAL INSTALLATION

A short power-supply cord is provided to reduce the risks resulting from becoming entangled in or tripping over a longer cord. Connect the plug firmly, if the product is connected to an adaptor plug or extension cord, be sure it is not in an area where it will be exposed to water. We do not recommend the use of an extension cord or adapter plug.

After placing the water dispenser, check if it is not over the power cord.



**WARNING!** Do not fasten, twist or tie the power cord.

Do not try to fix it. If it is damaged, request the visit of a professional technician. If the power cord is damaged, it should be replaced by the service centre technician.

## Packet disassembly step

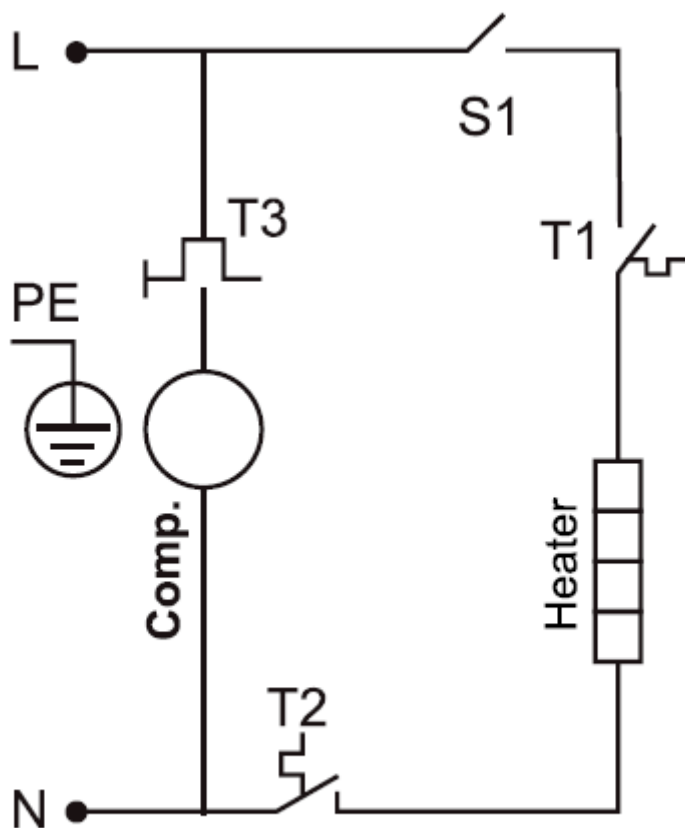
- 1、 Carton packet disassembly
- 2、 cut off packing belt and carton transparent adhesive tape  
extract carton and take out product

## Technical parameters

Rated Voltage	220-240V~	Rated Power	510W
Rated Frequency	50/60Hz	Rated Current	2.8A
Cold water	$\leq 10^{\circ}\text{C}$	Chilledwater capacity min	1.9L/H
Hot Water Temperature	$\geq 85^{\circ}\text{C}$	Heated water capacity min	4L/H
IP code	IPX0		

## Circuit diagram

- 1、 compressor
- 2、 switch (S1)
- 3、 heater



## Trouble shooting

Problem	Possible cause(s)	Solution
Does not work	Electric plug out of the socket.	Plug in.
	Bonded in different voltage.	Connect in correct voltage.
	Lack of electric power or fuse blown.	Wait for electric power ON or change fuse.
	Thermostat knob in the OFF position.	Turn the knob from OFF position to Min Position.
	Voltage drop.	Use a voltage stabilizer.
Water not cold from cold tank	Electric plug out of the socket.	Plug in.
	Thermostat knob in the OFF position or Min position.	Turn knob to Max position.
Excessive heating around dispenser body	The appliance very close to a wall.	The appliance must be at least 25 cm from the wall.
	Ventilation vents obstructed.	Clear the ventilation vents.
Noise	Product leaning on the wall.	The product must be at least of 25 cm from the wall.
	Uneven placement.	Even the appliance.
Water leakage	A hole or a crack in the bottle.	Replace the water bottle.
	Overflow in the water collector.	Empty the water collector.
	Drainage cap not well tightened.	Tighten the cap.
Unpleasant taste of water	Cleaning is made with non recommended material.	Follow cleaning/sterilization procedure correctly.
	Poor-quality water.	Make sure that the mineral water supplier is of good quality.
	Water bottle shoddy.	Replace the water bottle.
Steam coming out of dispenser	Excessive heating inside the hot water tank.	Disconnect the main power source and call service centre.
Water not hot from hot tank	Electric plug out of the socket.	Plug in.
	Electric switch is not on	Switch on the electric switch at the back of the dispenser

## Maintenance

The machine had been disinfected before departed from factory.

Never clean your water cooler with flammable fluids such as alcohol, kerosene, gasoline, paint thinner, solvents, chemicals or abrasives as detergents, acids, vinegar or products that might leave the smell.

Wipe the outside of the water dispenser with water and neutral detergent.

Do not use chemical cleaners or volatile solvents, because the product can lose brightness and colour.

Wipe with a soft, clean piece of cloth in part outside of water dispenser regularly.

The water inside the bottle must not contain chlorine additive. So it's very important that the inside of the water dispenser is sterilized and clean.

Do not touch the water outlet to avoid its contamination. The water reservoir must be cleaned and sterilized every 3 months.

Water will fall from the water collector if it is completely filled with water, please empty the water collector periodically.

### PROCEDURE FOR CLEANING & STERILIZATION OF THE APPLIANCE

1. Disconnect the appliance from power source.

2. Remove the water bottle and empty water reservoir through pressing the buttons until there is no water coming out.
3. Open the drainage cap, existing at the back of the dispenser, and ensure that all the water flow out of the appliance.
4. Prepare a chlorinated solution (2 litres of clean water and 0.5 tea spoon of bleach).
5. Place the chlorinated solution in an empty bottle of water and fill your water dispenser.
6. Wait 10 minutes for the chlorinated solution take effect and remove all the water through the all buttons.
7. Fill 1/3 of the bottle with clean water. Replace the bottle and remove all the water by triggers and drainage cap. This will rinse the tanks and the triggers of your product.



**WARNING!** Always disconnect the water dispenser from power source before cleaning it or doing any maintenance.

NO.		Name (CH)	Quantity	Unit
1		bottle supporter	1	件
2		top cover Trimming	1	件
3		top cover	1	件
4		seal ring	1	件
5		separator	1	件
6		seal ring	1	件
7		left and right insulating foam	1	件
8		Protective loop	1	件
9		cold tank mounting plate	1	件
10		normal water outflow tube	1	件
11		Hot Water out tube	1	件
12		Water faucet	1	件
13		cold water outflow tube	1	件
14		Water faucet assembly	1	件
15		front carapace	1	件
16		Self lock assembly	3	件
17		Ornament parts	1	件
18		Push botton for normal water	1	件
19		handle	2	件
20		thermostat mounting plate	1	件
21		cooling thermostat for cold water	1	件
22		right side panel	1	件
23		Thermostat knob	1	件
24		Dial block	1	件
25		Push botton for hot water	1	件
26		Push botton for cold water	1	条
27		Spring	1	个
28		Die-block	1	件
29		Fixing block	1	件
30		Drip tray assembly	1	件
31		Faucet	1	件
32		Drip tray fixing block	1	件
33		door right ornament parts	1	件
34		door down ornament parts	1	件
35		door	1	件
36		door left ornament parts	1	件
37		Door liner	1	件
38		magnet (small)	5	件
39		front carapace right ornament parts	1	件
40		front carapace left ornament parts	1	件
41		compressor	1	件
42		compressor mounting plate	2	件
43		cabinet	1	件
44		base plate assembly	1	件
45		middle supporting plate	1	件
46		door Pintle	2	件
47		door Pintle bracket	2	件
48		door Pintle bracket	2	件



49		left side panel	1	件
50		Inside wiring	1	件
51		Inside wiring	1	件
52		hot water Drainpipe	1	件
53		nut	1	件
54		drainpipe lid	1	件
55		power cord	1	个
56		hot tank	1	件
57		thermostat for anti-overheating	1	件
58		heating thermostat	1	条
59		Shake-proof washer	2	件
60		dry filter	1	件
61		process tube	1	件
62		ground wiring	1	件
63		overflow tube	1	件
64		backcover(top)	1	件
65		condenser	1	件
66		heating switch	1	件
67		cold tank assembly	1	件
68		Inside wiring	1	件
69		Inside wiring	1	件

