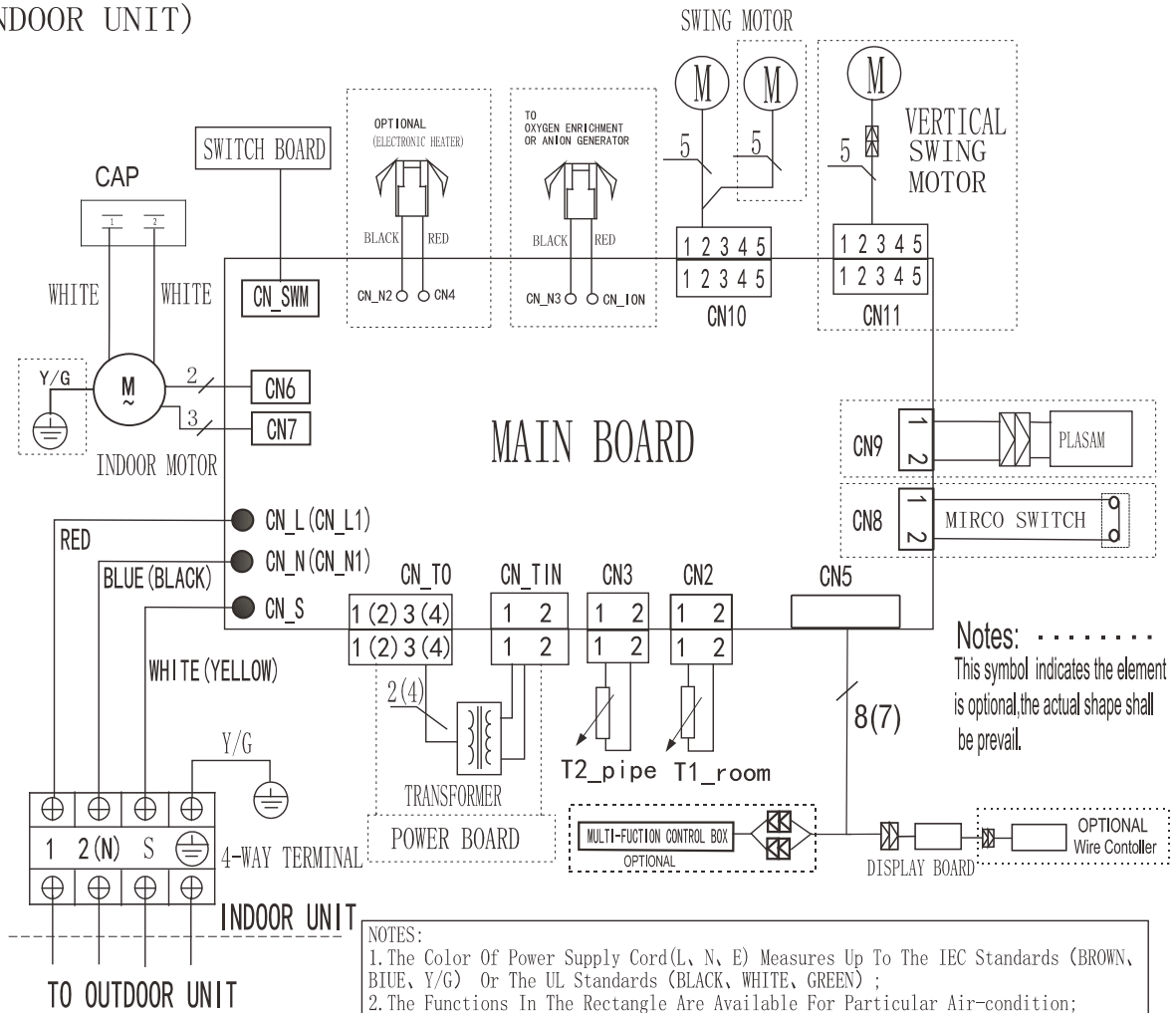


WIRING DIAGRAM (INDOOR UNIT)



Notes:
This symbol indicates the element is optional, the actual shape shall be prevail.

- NOTES:
1. The Color Of Power Supply Cord (L, N, E) Measures Up To The IEC Standards (BROWN, BLUE, Y/G) Or The UL Standards (BLACK, WHITE, GREEN) ;
 2. The Functions In The Rectangle Are Available For Particular Air-condition;
 3. Connecting CN_TIN and CN_TO is TRANSFORMER or POWER PCB.