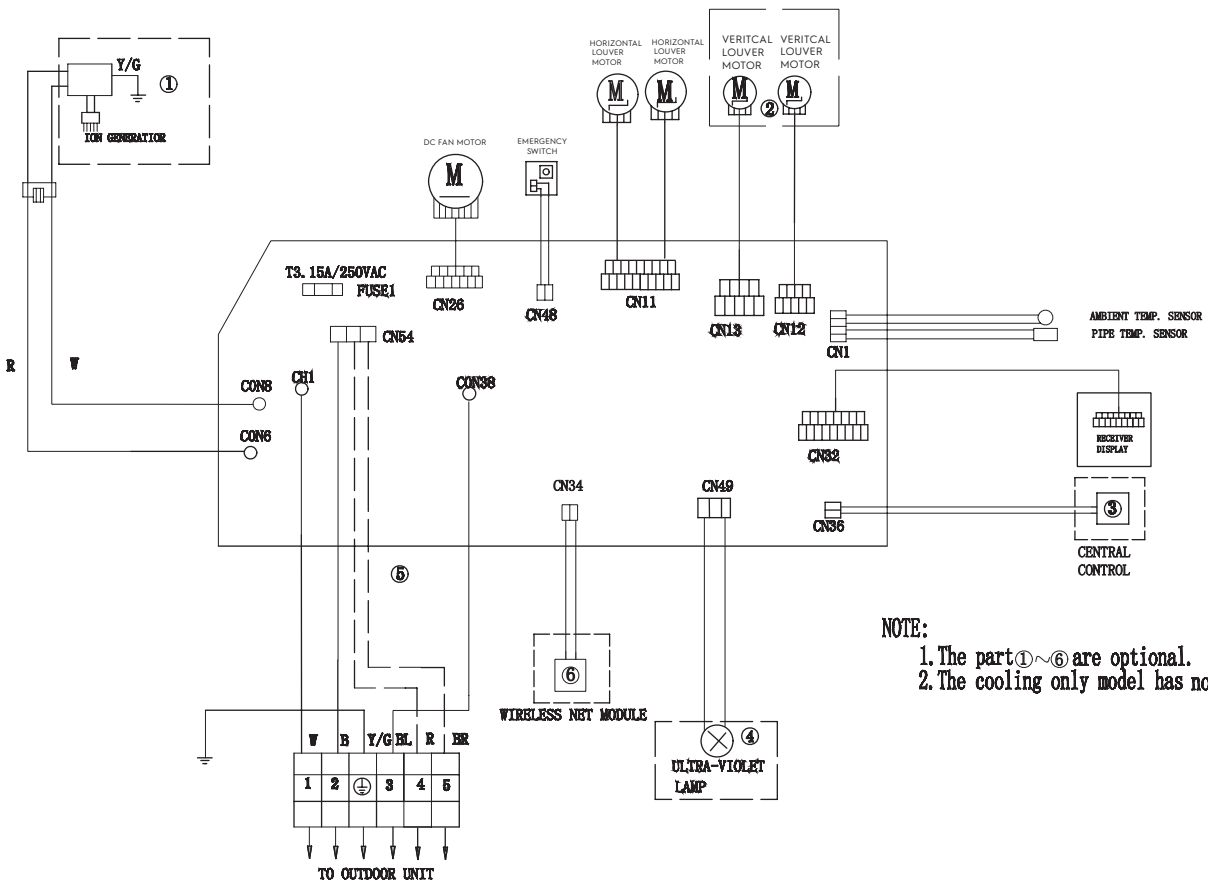


INDOOR WIRING DIAGRAM



NOTE:

- 1. The part ①~⑥ are optional.
- 2. The cooling only model has not the part ⑤.

W: WHITE
 B: BLACK
 R: RED
 BL: BLUE
 BR: BROWN
 Y/G: YELLOW/
 GREEN