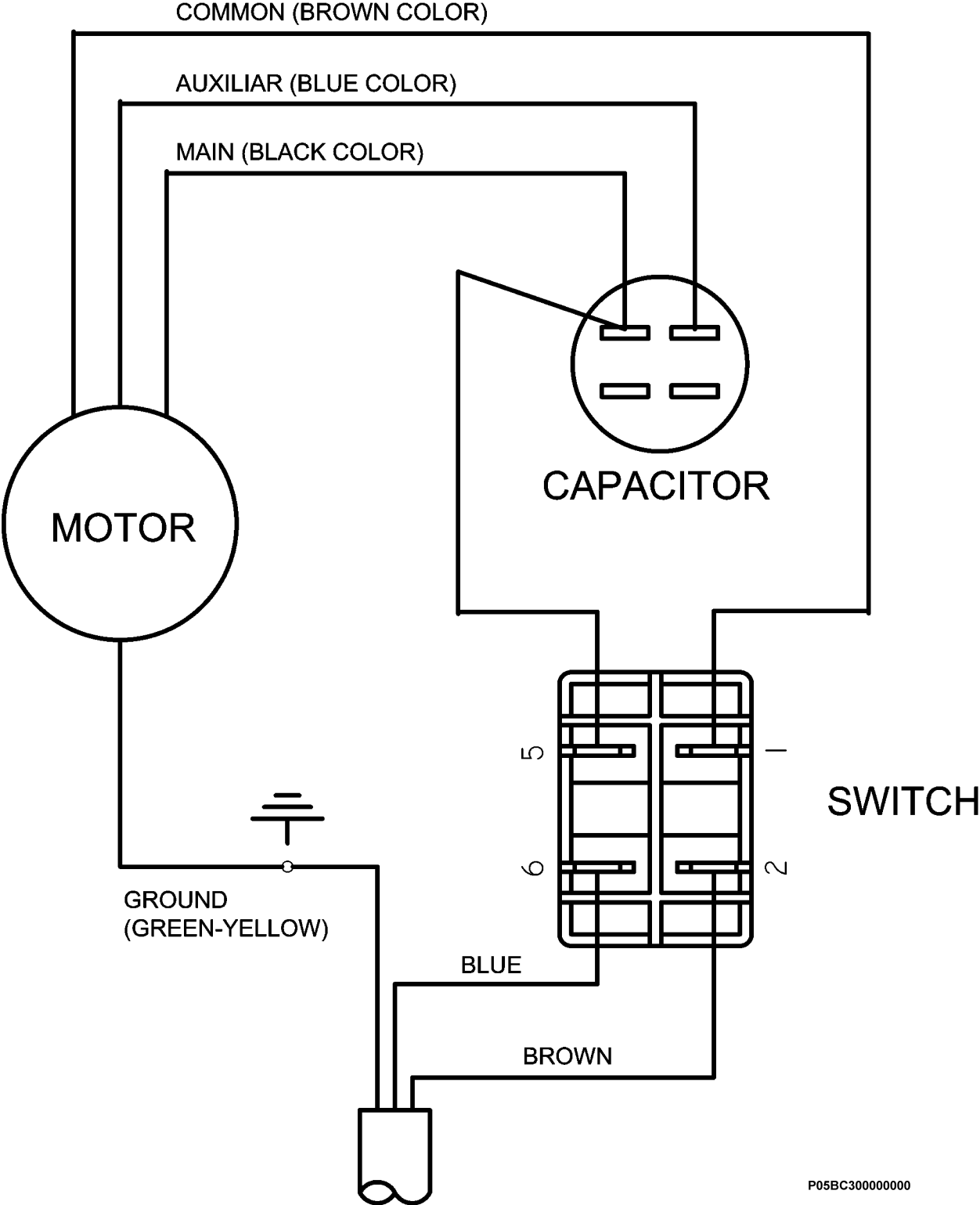


ELECTRIC DIAGRAM



P05BC30000000

POWER SUPPLY : 230V~ / 50Hz