

THE ITEM(S) SHOWN IN THIS DRAWING MUST NOT CONTAIN FORMALDEHYDE, CADMIUM, MERCURY, ASBESTOS OR PBB/PBBO.

THIS DRAWING CONTAINS CONFIDENTIAL INFORMATION. IT'S PROPERTY OF ELECTROLUX WITHOUT WHOSE PERMISSION IT MAY NOT BE COPIED, SHOWN OR HANDED TO A THIRD PARTY OR OTHERWISE USED, AND IT IS TO BE RETURNED PROMPTLY UPON REQUEST TO ELECTROLUX WHICH IS RESPONSIBLE FOR THE DRAWING.

CRITICAL DIMENSIONS WHICH MUST BE UNDER CAPABILITY

**SAFETY RISKS**

--- : VISIBLE SURFACES  
--- : DRAFT ANGLES (NOT SHOWN): 0.000000°

THEORETICAL FLAT AREA  
DEVELOPED FLAT AREA

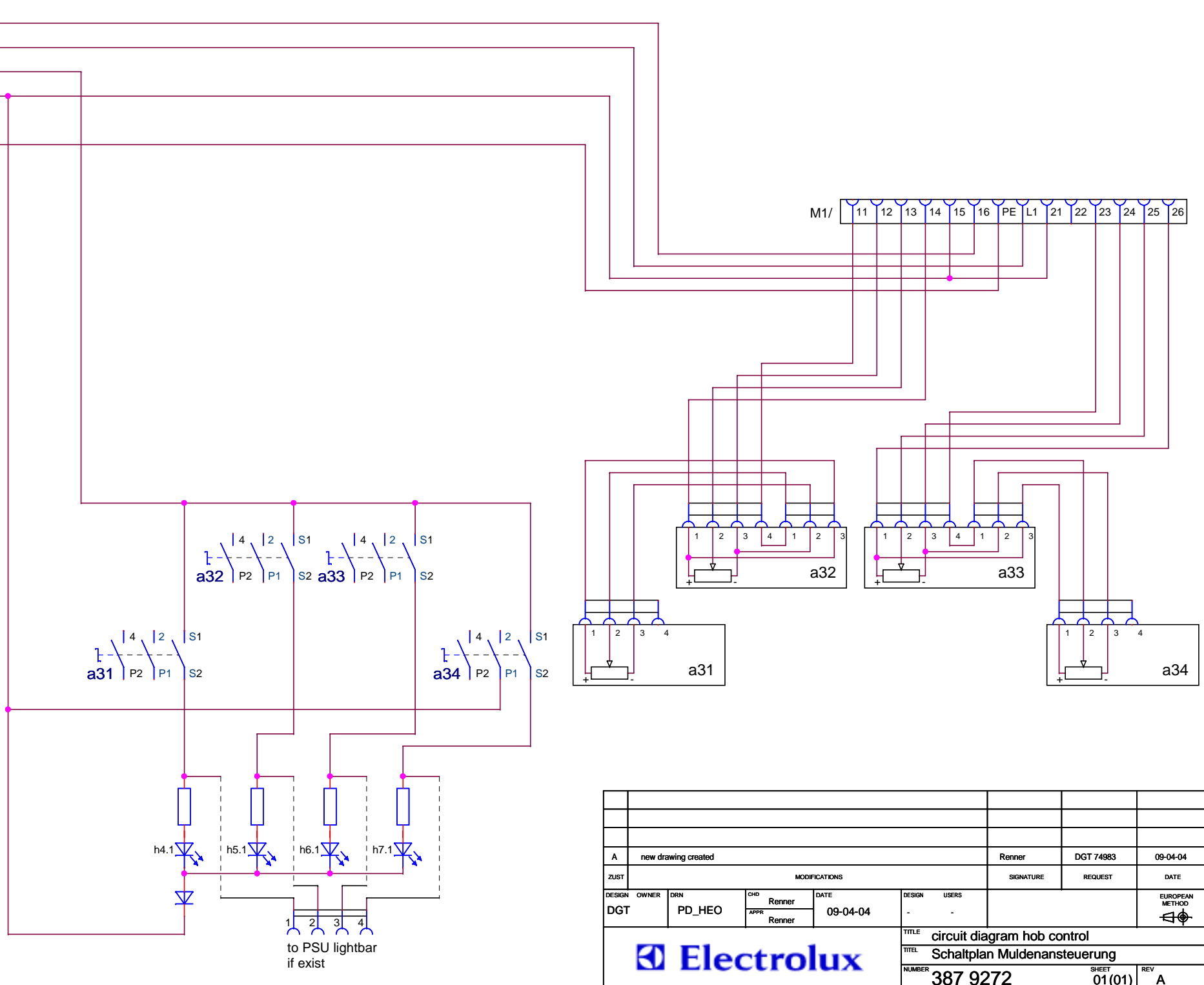
GENERAL TOLERANCES

ANGLES : ±°

LENGTHS AND DIAMETERS:  
18-50 mm. : ±°  
>50 mm. : ±°

**A4**

- X1/1 ○ L1
- X1/2 ○ L2
- X1/3 ○ L3
- X1/4 ○ N
- X1/5 ○ PE
- X1/PE ○ PE



DESIGN				OWNER		DRN		CHD		DATE		DESIGN		USERS		EUROPEAN METHOD	
DGT				PD_HEO		Renner		Renner		09-04-04		-		-			
<b>Electrolux</b>												TITLE circuit diagram hob control TITEL Schaltplan Muldenansteuerung NUMBER 387 9272 SHEET 01(01) REV A					

A new drawing created				Renner		DGT 74983		09-04-04					
ZUST				MODIFICATIONS				SIGNATURE		REQUEST		DATE	