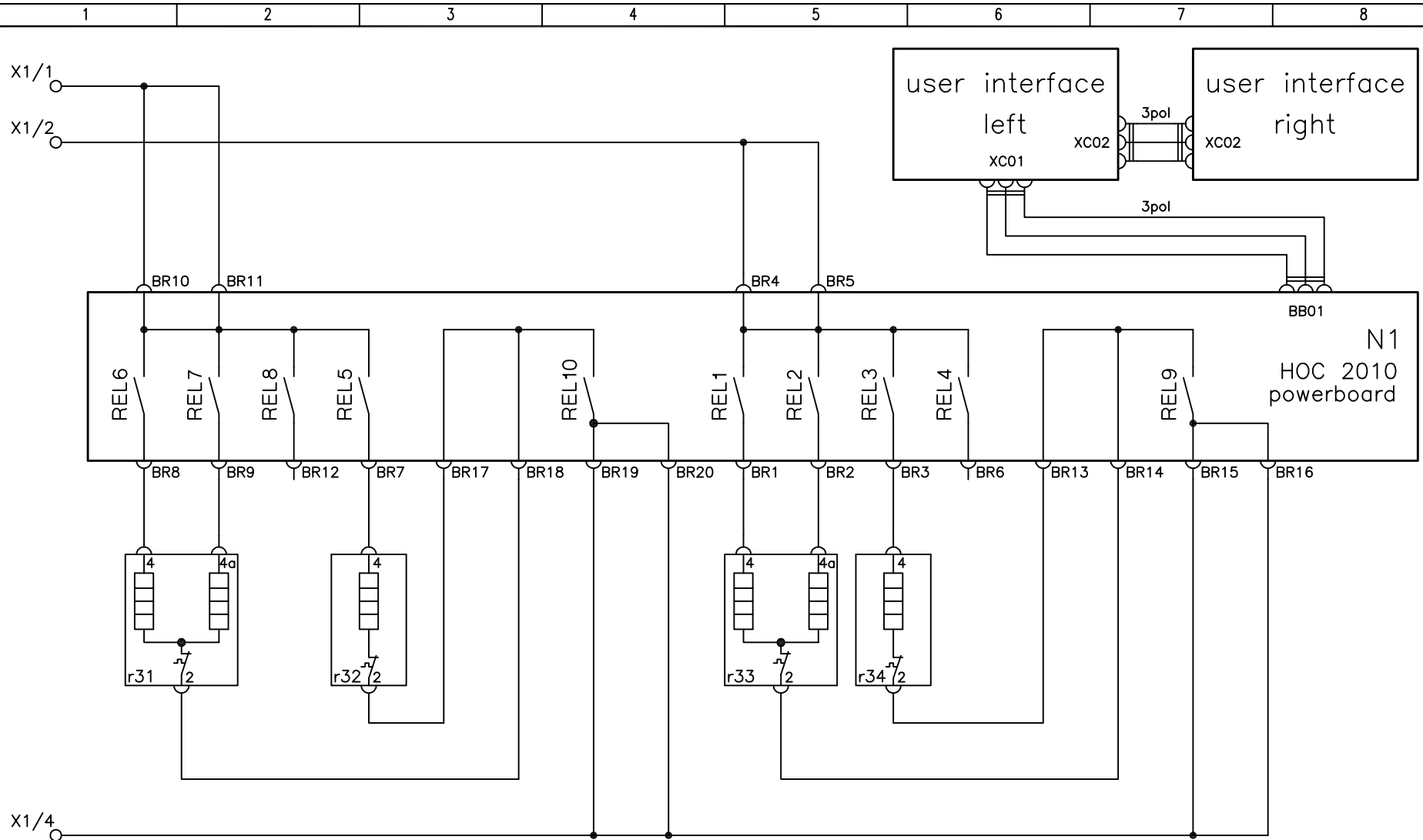


Items shown in this drawing must not contain substances that are banned according to Directive, 2002/95/EC, the RoHS Directive (Lead, Cadmium, Mercury, hexavalent Chromium, PBB and PBDE), or substances classified as "banned" or "restricted" according to the Electrolux Restricted Materials List.  
 This drawing contains confidential information and is the property of Electrolux, without whose permission it may not be copied, shown or handed to a third party or otherwise used and it is to be returned promptly upon request to the design owner, who is responsible for the drawing.



GENERAL TOLERANCES  
 ANGLES  
 LENGTHS AND DIAMETERS

387 7714 00					
VARIANT NUMBER.	REPLACED NUMBER	POS.	MODEL	DESIGN USERS	CHANGES FROM THE BASE NUMBER

A		first edition		WeiB		DGT64545		20.06.2008	
POS				SIGNATURE		REQUEST		DATE	
MATERIAL				MODEL		SCALE		EUROPEAN METHOD	
TREATMENT				WEIGHT		DESIGN USERS		REPLACES No	
DESIGN OWNER				DRN		CHD WeiB		DERIVED FROM No	
DGT				DATE 20.06.2008		APPR WeiB		SUPPLY SPECIFICATIONS No	
				2D ONLY					
				CONCEPT 3D					
				EXACT 3D					
TITLE circuit diagram									
Schaltplan									
NUMBER 387 7714								REV	A
								SHEET	1/1

