

THE ITEM(S) SHOWN IN THIS DRAWING MUST NOT CONTAIN FORMALDEHYDE, CADMIUM, MERCURY, ASBESTOS OR PBB/PBDO.

THIS DRAWING CONTAINS CONFIDENTIAL INFORMATION. ITS PROPERTY OF ELECTROLUX WITHOUT WHOSE PERMISSION IT MAY NOT BE COPIED, SHOWN OR HAND TO A THIRD PARTY OR OTHERWISE USED, AND IT IS TO BE RETURNED PROMPTLY UPON REQUEST TO ELECTROLUX WHICH IS RESPONSIBLE FOR THE DRAWING.

CRITICAL DIMENSIONS WHICH MUST BE UNDER CAPABILITY

SAFETY RISKS

DRAFT ANGLES (NOT SHOWN): 0.000000°

THEORETICAL FLAT AREA

DEVELOPED FLAT AREA

GENERAL TOLERANCES

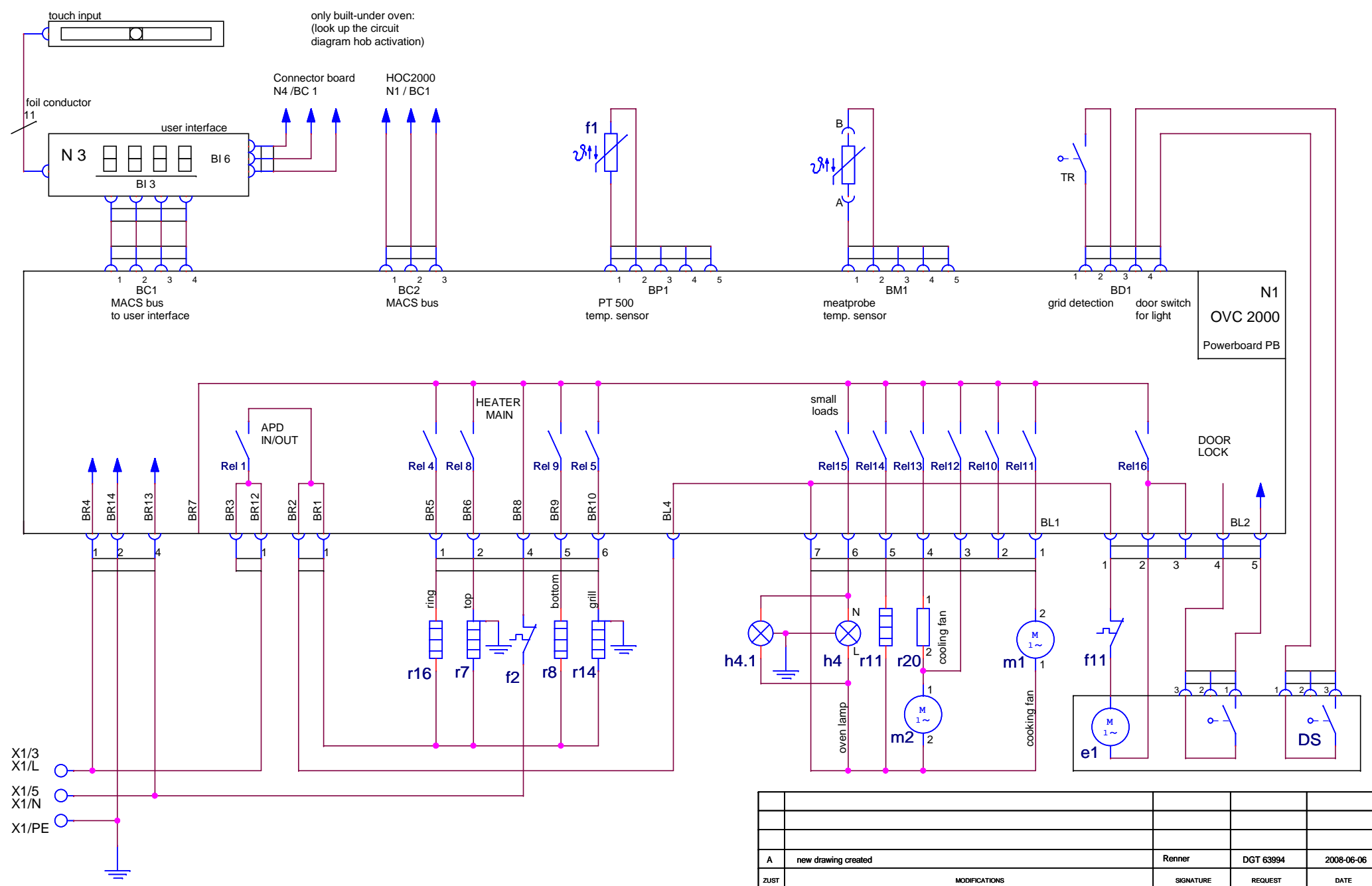
ANGLES : ±°

LENGTHS AND DIAMETERS:

18-50 mm. : ±°

>50mm. : ±°

A4



only built-under oven:  
(look up the circuit  
diagram hob activation)

DESIGN				DATE				DESIGN				EUROPEAN METHOD			
OWNER				DATE				USERS				METHOD			
DGT				2008-06-06				-				Electrolux			
DRN				APPR				SIGNATURE				REV			
PD HEO				Renner				REQUEST				A			
MODIFICATIONS				SIGNATURE				REQUEST				DATE			
new drawing created				Renner				DGT 63994				2008-06-06			
TITLE				TITEL				NUMBER				SHEET			
circuit diagram oven				Schaltplan Herd				387 7535				01(01)			
A4				A				A				A			