

THE ITEM(S) SHOWN IN THIS DRAWING MUST NOT CONTAIN FORMALDEHYDE, CADMIUM, MERCURY, ASBESTOS OR PBB/PBBO.

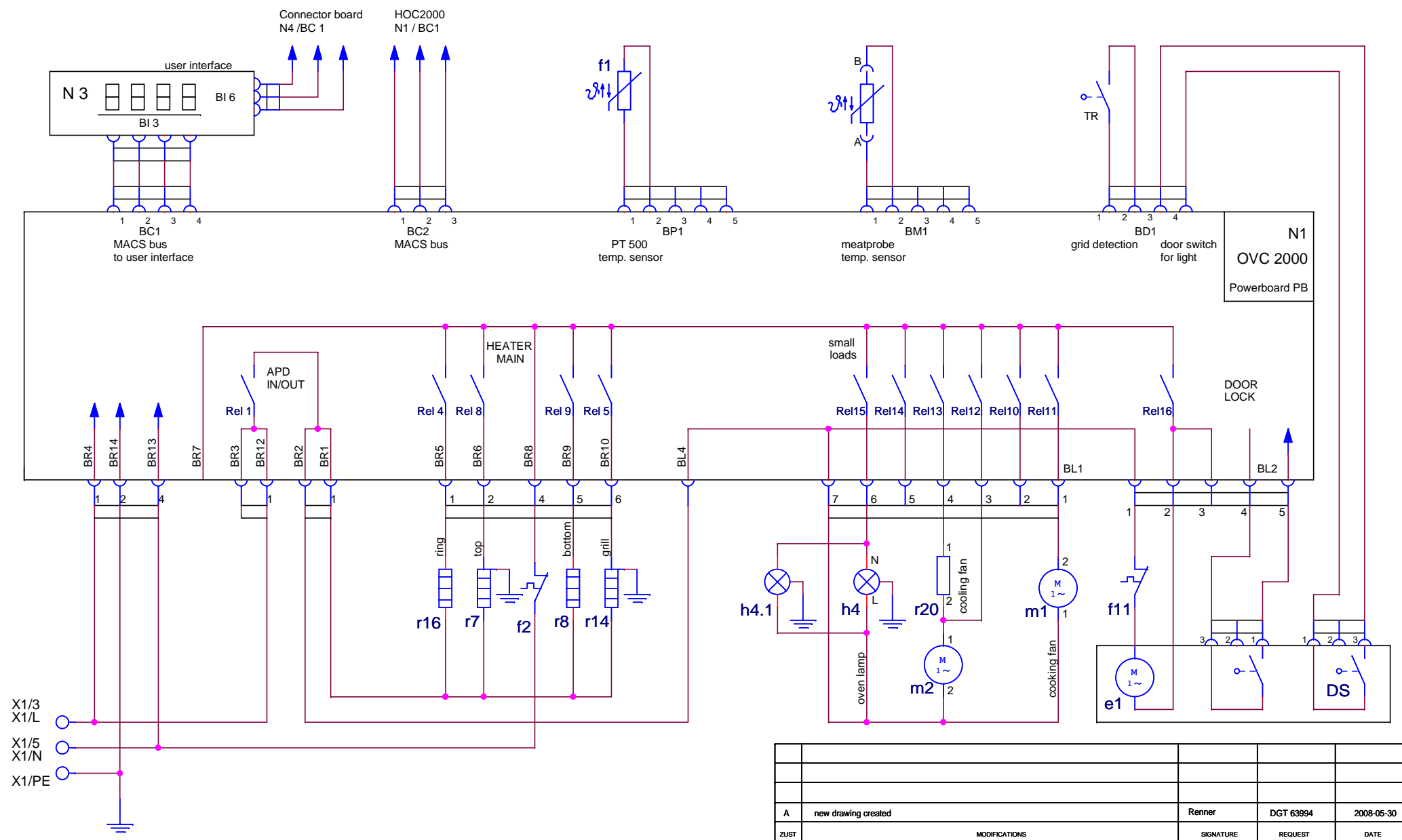
THIS DRAWING CONTAINS CONFIDENTIAL INFORMATION. IT'S PROPERTY OF ELECTROLUX WITHOUT WHOSE PERMISSION IT MAY NOT BE COPIED, SHOWN OR HANDED TO A THIRD PARTY OR OTHERWISE USED, AND IT IS TO BE RETURNED PROMPTLY UPON REQUEST TO ELECTROLUX WHICH IS RESPONSIBLE FOR THE DRAWING.

CRITICAL DIMENSIONS WHICH MUST BE UNDER CAPABILITY [2] SAFETY RISKS DRAFT ANGLES (NOT SHOWN): 0.000000°

THEORETICAL FLAT AREA DEVELOPED FLAT AREA

GENERAL TOLERANCES ANGLES : ±° LENGTHS AND DIAMETERS: 18-50 mm. : ±0.10 mm. >50 mm. : ±0.15 mm.

only built-under oven:  
(look up the circuit diagram hob activation)



DESIGN				DATE				EUROPEAN METHOD			
A new drawing created				2008-05-30							
ZUST				MODIFICATIONS				SIGNATURE			
DGT				PD HEO				REQUEST			
CHD Renner				DATE 2008-05-30				DESIGN USERS			
APPR Renner								SHEET 01(01)			
								REV A			
								TITLE circuit diagram oven TITEL Schaltplan Herd NUMBER 387 7515			