

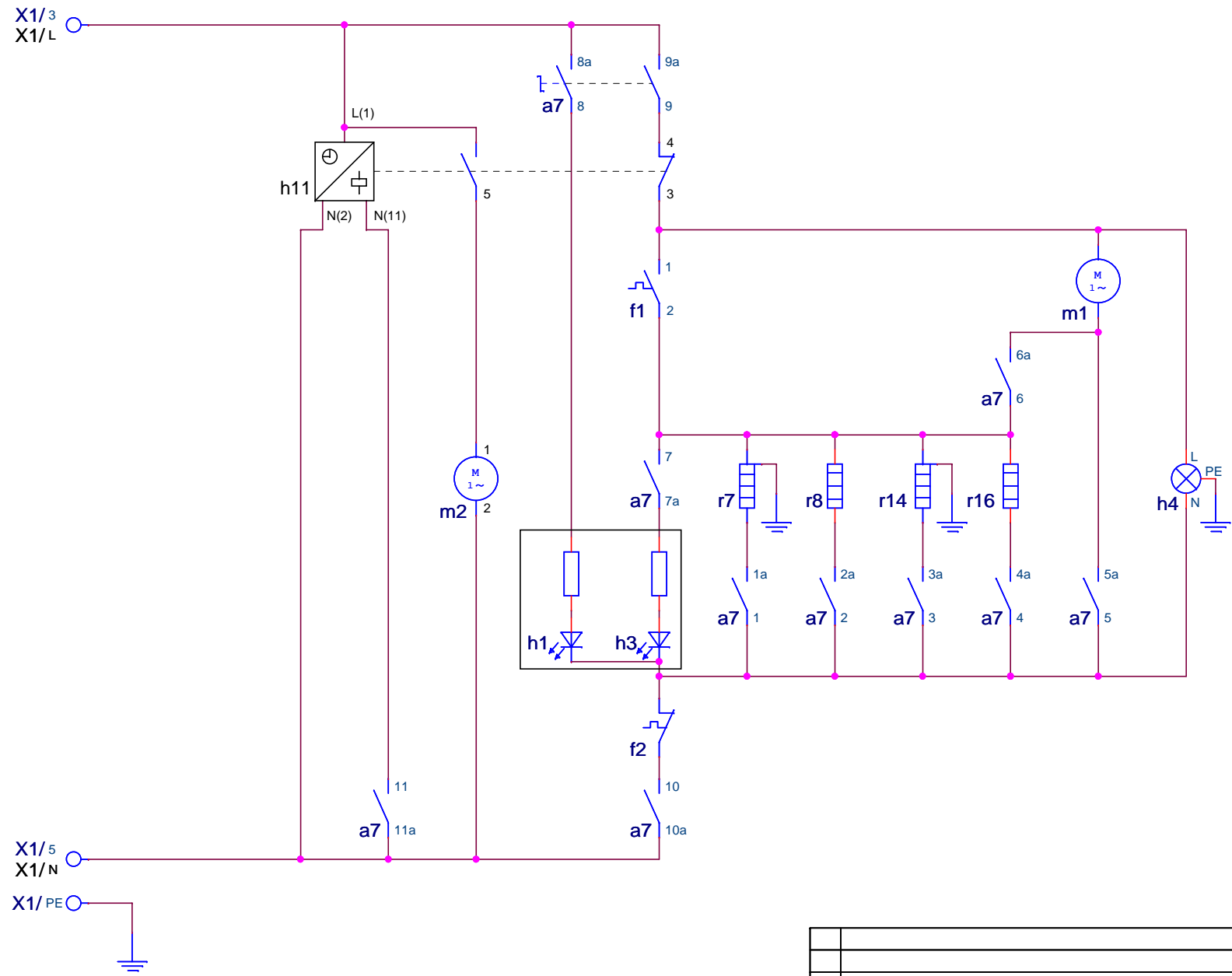
THE ITEM(S) SHOWN IN THIS DRAWING MUST NOT CONTAIN FORMALDEHYDE, CADMIUM, MERCURY, ASBESTOS OR PBB/PBBO.

THIS DRAWING CONTAINS CONFIDENTIAL INFORMATION. IT'S PROPERTY OF ELECTROLUX WITHOUT WHOSE PERMISSION IT MAY NOT BE COPIED, SHOWN OR HANDED TO A THIRD PARTY OR OTHERWISE USED, AND IT IS TO BE RETURNED PROMPTLY UPON REQUEST TO ELECTROLUX WHICH IS RESPONSIBLE FOR THE DRAWING.

CRITICAL DIMENSIONS WHICH MUST BE UNDER CAPABILITY [2] SAFETY RISKS DRAFT ANGLES (NOT SHOWN): 0.000000°

THEORETICAL FLAT AREA DEVELOPED FLAT AREA

GENERAL TOLERANCES ANGLES : ±0° LENGTHS AND DIAMETERS: 18-80 mm. : ±0.1 mm. >80 mm. : ±0.2 mm. A4



DESIGN		OWNER		DRN		CHD		DATE		DESIGN		USERS		EUROPEAN METHOD							
A		new drawing created		Renner		DGT 62215		26-05-2008		SIGNATURE		REQUEST		DATE							
ZUST		MODIFICATIONS		SIGNATURE		REQUEST		DATE		SIGNATURE		REQUEST		DATE							
PD_HEO		Georgi		26-05-2008		-		-		-		-		-							
										TITLE		circuit diagram oven									
										TITEL		Schaltplan Herd									
										NUMBER		387 7032		SHEET		01(01)		REV		A	