

THE ITEM(S) SHOWN IN THIS DRAWING MUST NOT CONTAIN FORMALDEHYDE, CADMIUM, MERCURY, ASBESTOS OR PBB/PBBO.

THIS DRAWING CONTAINS CONFIDENTIAL INFORMATION. IT'S PROPERTY OF ELECTROLUX WITHOUT WHOSE PERMISSION IT MAY NOT BE COPIED, SHOWN OR HANDED TO A THIRD PARTY OR OTHERWISE USED, AND IT IS TO BE RETURNED PROMPTLY UPON REQUEST TO ELECTROLUX WHICH IS RESPONSIBLE FOR THE DRAWING.

CRITICAL DIMENSIONS WHICH MUST BE UNDER CAPABILITY

**SAFETY RISKS**

--- : VISIBLE SURFACES  
--- : VISIBLE SURFACES (NOT SHOWN): .000000"

THEORETICAL FLAT AREA

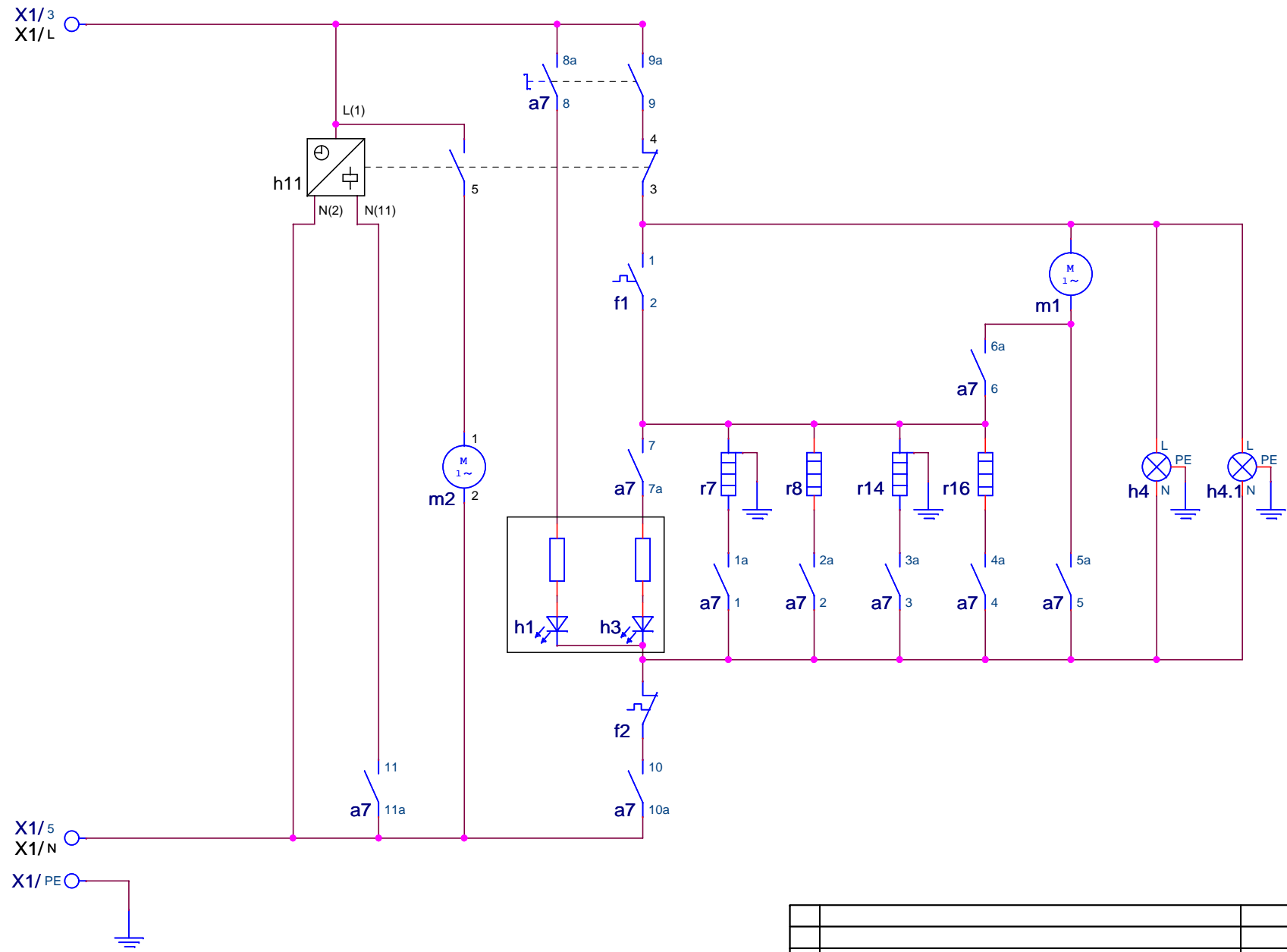
DEVELOPED FLAT AREA

GENERAL TOLERANCES

ANGLES : ±°

LENGTHS AND DIAMETERS:  
18-50 mm. : ±°  
>50 mm. : ±°

**A4**



DESIGN		OWNER		DRN	CHD	Renner	DATE	DESIGN	USERS	EUROPEAN METHOD	
A		new drawing created			APPR	Renner	26-05-2008	-	-		
ZUST		MODIFICATIONS						SIGNATURE		REQUEST	DATE
A								Renner		DGT 62215	26-05-2008
TITLE		circuit diagram oven									
TITEL		Schaltplan Herd									
NUMBER		387 7031							SHEET		REV
A									01(01)		A