

THE ITEM(S) SHOWN IN THIS DRAWING MUST NOT CONTAIN FORMALDEHYDE, CADMIUM, MERCURY, ASBESTOS OR PBB/PBBO.

THIS DRAWING CONTAINS CONFIDENTIAL INFORMATION. IT'S PROPERTY OF ELECTROLUX WITHOUT WHOSE PERMISSION IT MAY NOT BE COPIED, SHOWN OR HANDED TO A THIRD PARTY OR OTHERWISE USED, AND IT IS TO BE RETURNED PROMPTLY UPON REQUEST TO ELECTROLUX WHICH IS RESPONSIBLE FOR THE DRAWING.

CRITICAL DIMENSIONS WHICH MUST BE UNDER CAPABILITY

SAFETY RISKS

--- : VISIBLE SURFACES  
--- : DRAFT ANGLES (NOT SHOWN): .000000"

THEORETICAL FLAT AREA

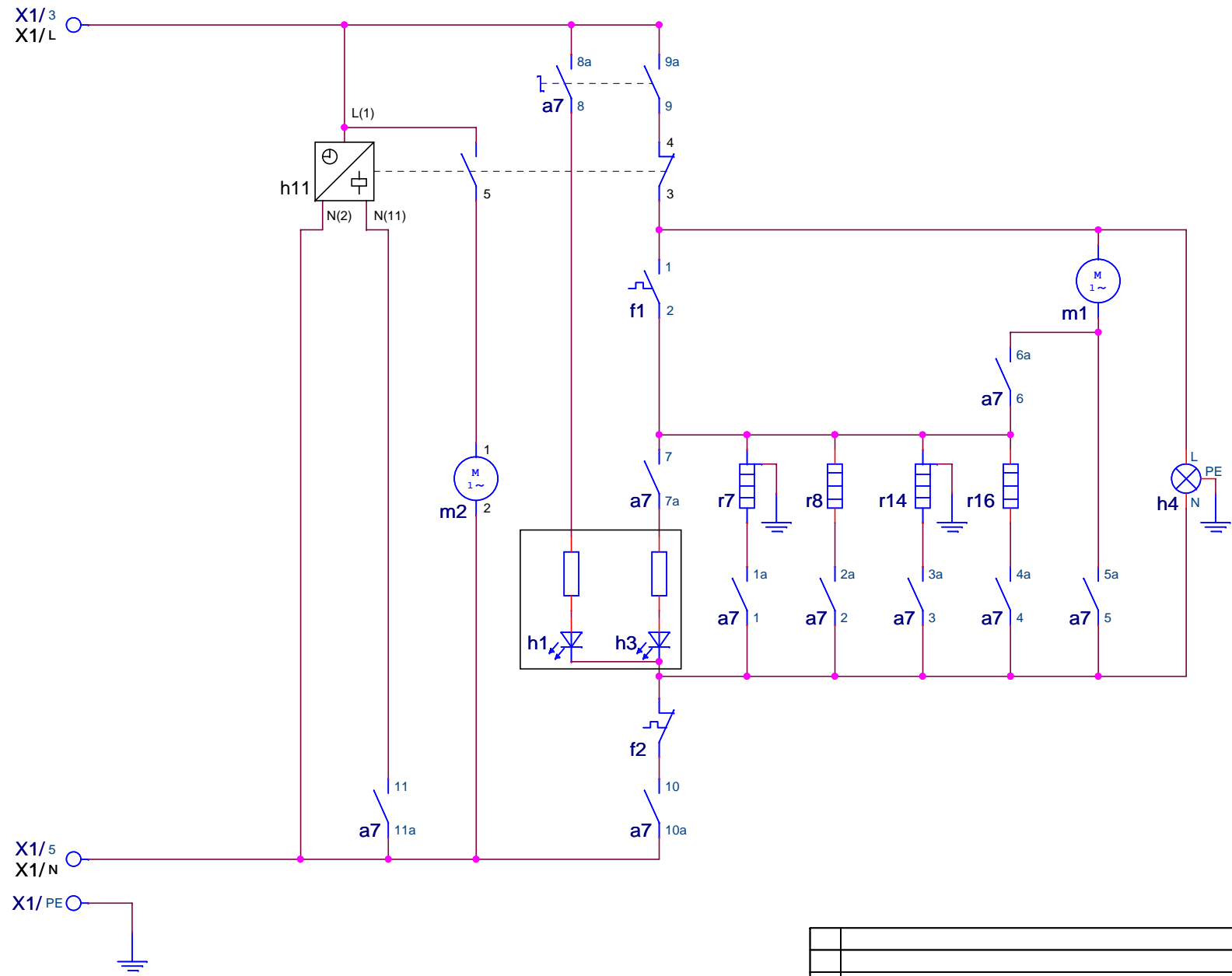
DEVELOPED FLAT AREA

GENERAL TOLERANCES

ANGLES : ±°

LENGTHS AND DIAMETERS:  
18-50 mm. : ±°  
>50 mm. : ±°

A4



DESIGN		OWNER		DRN	CHD	Renner	DATE	DESIGN	USERS				
ZUST		MODIFICATIONS		APPR	Renner	05-08-2008		SIGNATURE	REQUEST	DATE			
A		new drawing created			Renner	DGT 62213	05-08-2008						
TITLE		circuit diagram oven											
TITEL		Schaltplan Herd											
NUMBER		387 7014							SHEET	01(01)		REV	A

