

THE ITEM(S) SHOWN IN THIS DRAWING MUST NOT CONTAIN FORMALDEHYDE, CADMIUM, MERCURY, ASBESTOS OR PBB/PBBO.

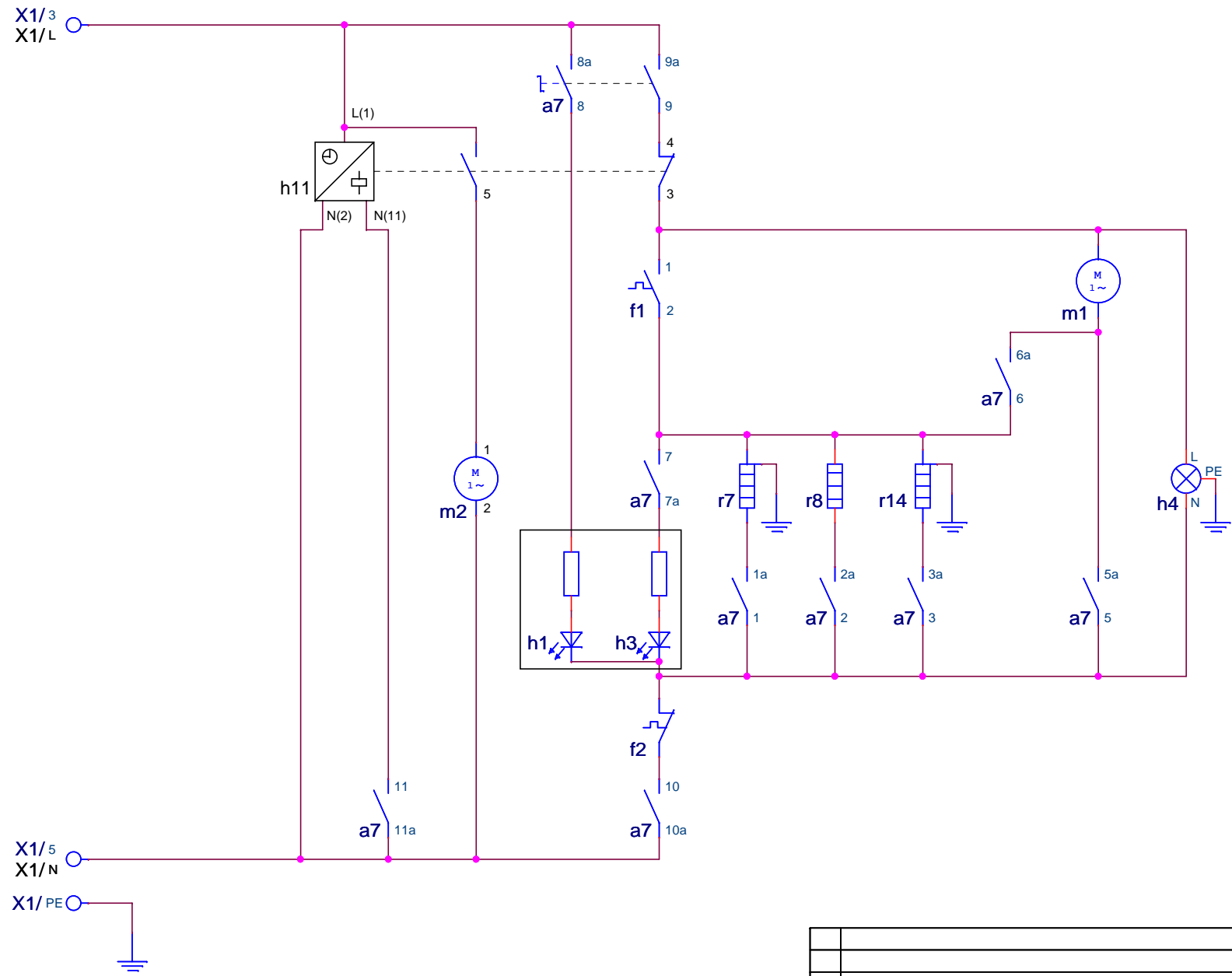
THIS DRAWING CONTAINS CONFIDENTIAL INFORMATION. IT'S PROPERTY OF ELECTROLUX WITHOUT WHOSE PERMISSION IT MAY NOT BE COPIED, SHOWN OR HANDED TO A THIRD PARTY OR OTHERWISE USED, AND IT IS TO BE RETURNED PROMPTLY UPON REQUEST TO ELECTROLUX WHICH IS RESPONSIBLE FOR THE DRAWING.

CRITICAL DIMENSIONS WHICH MUST BE UNDER CAPABILITY [2] SAFETY RISKS
 --- : VISIBLE SURFACES
 --- : VISIBLE SURFACES (NOT SHOWN): .000000"

THEORETICAL FLAT AREA
 DEVELOPED FLAT AREA

GENERAL TOLERANCES
 ANGLES : ±3°
 LENGTHS AND DIAMETERS:
 18-50 mm. : ±0.1
 >50 mm. : ±0.2

A4



| | | | | | | | | | | | | | | | | | | | | | |
|--------|--|---------------------|--|-----------|--|------------|--|------------|--|-----------|--|----------------------|--|-----------------|--|--------|--|-----|--|---|--|
| DESIGN | | OWNER | | DRN | | CHD | | DATE | | DESIGN | | USERS | | EUROPEAN METHOD | | | | | | | |
| A | | new drawing created | | Renner | | DGT 62213 | | 26-05-2008 | | SIGNATURE | | REQUEST | | DATE | | | | | | | |
| ZUST | | MODIFICATIONS | | SIGNATURE | | REQUEST | | DATE | | SIGNATURE | | REQUEST | | DATE | | | | | | | |
| DESIGN | | OWNER | | DRN | | CHD | | DATE | | DESIGN | | USERS | | EUROPEAN METHOD | | | | | | | |
| PD_HEO | | Renner | | Georgi | | 26-05-2008 | | - | | - | | - | | - | | | | | | | |
| | | | | | | | | | | TITLE | | circuit diagram oven | | | | | | | | | |
| | | | | | | | | | | TITEL | | Schaltplan Herd | | | | | | | | | |
| | | | | | | | | | | NUMBER | | 387 7013 | | SHEET | | 01(01) | | REV | | A | |