

THE ITEM(S) SHOWN IN THIS DRAWING MUST NOT CONTAIN FORMALDEHYDE, CADMIUM, MERCURY, ASBESTOS OR PBB/PBBO.

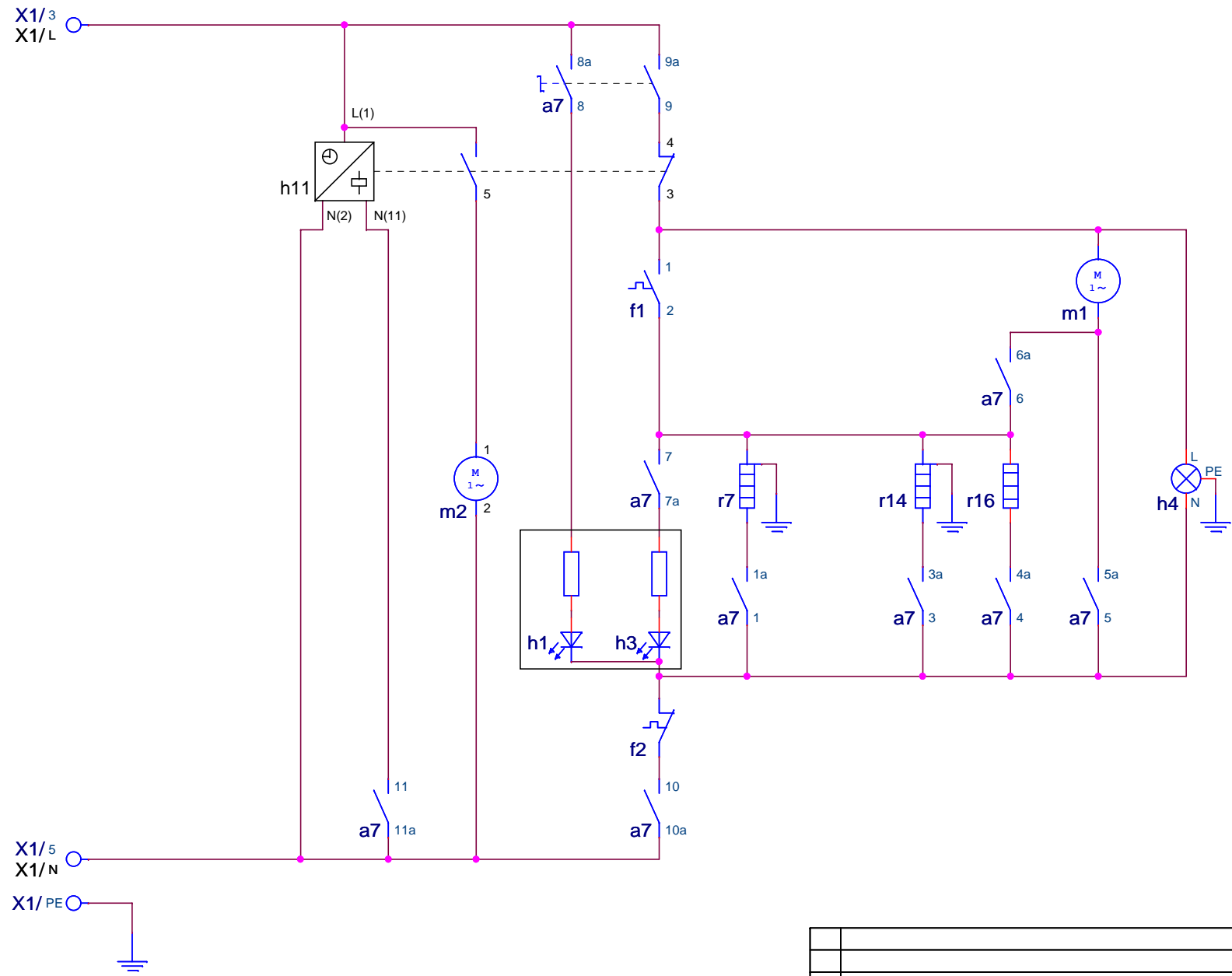
THIS DRAWING CONTAINS CONFIDENTIAL INFORMATION. IT'S PROPERTY OF ELECTROLUX WITHOUT WHOSE PERMISSION IT MAY NOT BE COPIED, SHOWN OR HANDED TO A THIRD PARTY OR OTHERWISE USED, AND IT IS TO BE RETURNED PROMPTLY UPON REQUEST TO ELECTROLUX WHICH IS RESPONSIBLE FOR THE DRAWING.

CRITICAL DIMENSIONS WHICH MUST BE UNDER CAPABILITY [2] SAFETY RISKS
 DRAFT ANGLES (NOT SHOWN): 0.000000°

THEORETICAL FLAT AREA DEVELOPED FLAT AREA

GENERAL TOLERANCES
 ANGLES : ±0.5°
 LENGTHS AND DIAMETERS:
 18-50 mm : ±0.1 mm
 >50 mm : ±0.2 mm

A4



DESIGN		OWNER		DRN		CHD		DATE		DESIGN		USERS		EUROPEAN METHOD			
A		new drawing created		Renner		Renner		04-08-2008		-		-					
ZUST		MODIFICATIONS		SIGNATURE		REQUEST		DATE		-		-		-			
										TITLE		circuit diagram oven		-			
-										TITEL		Schaltplan Herd		-			
-										NUMBER		387 6991		SHEET		01 (01)	
-										REV		A		-			