

THE ITEM(S) SHOWN IN THIS DRAWING MUST NOT CONTAIN FORMALDEHYDE, CADMIUM, MERCURY, ASBESTOS OR PBB/PBDO.

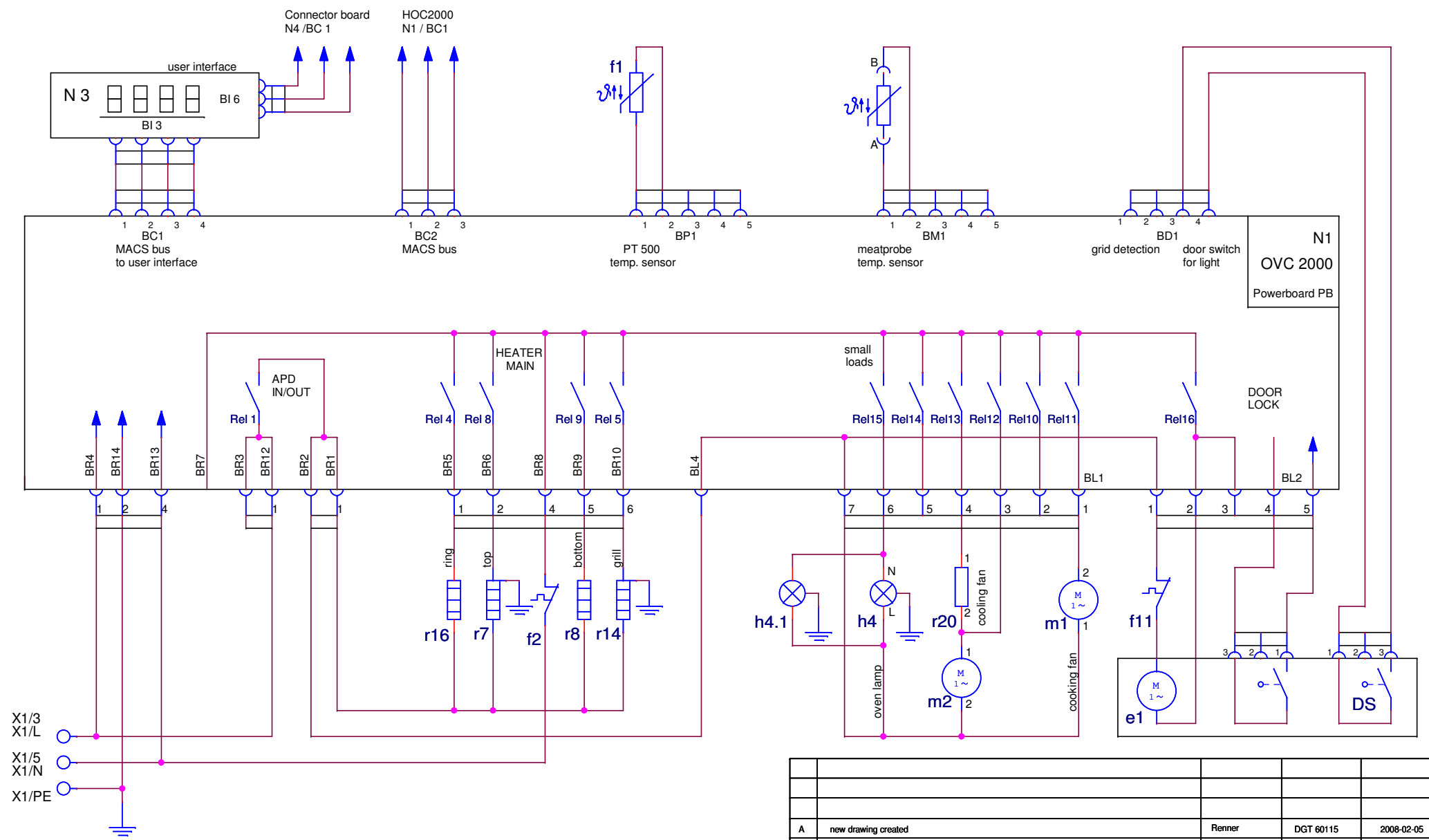
THIS DRAWING CONTAINS CONFIDENTIAL INFORMATION. IT'S PROPERTY OF ELECTROLUX WITHOUT WHOSE PERMISSION IT MAY NOT BE COPIED, SHOWN OR HANDED TO A THIRD PARTY OR OTHERWISE USED, AND IT IS TO BE RETURNED PROMPTLY UPON REQUEST TO ELECTROLUX WHICH IS RESPONSIBLE FOR THE DRAWING.

CRITICAL DIMENSIONS WHICH MUST BE UNDER CAPABILITY [2] SAFETY RISKS
 DRAFT ANGLES (NOT SHOWN): 0°/000°

THEORETICAL FLAT AREA DEVELOPED FLAT AREA

GENERAL TOLERANCES ANGLES : ±° LENGTHS AND DIAMETERS : 18-80 mm : ±0.1 mm >80 mm : ±0.2 mm

only built-under oven:
 (look up the circuit diagram hob activation)



DESIGN		OWNER		DRN		CHD		DATE		DESIGN		USERS		EUROPEAN METHOD					
DGT		PD		HEO		Renner		2008-02-05		-		-							
Electrolux										TITLE circuit diagram oven TITEL Schaltplan Herd NUMBER 387 6660 SHEET 01(01) REV A									
A				new drawing created				Renner				DGT 60115				2008-02-05			
ZUST				MODIFICATIONS				SIGNATURE				REQUEST				DATE			