

THE ITEM(S) SHOWN IN THIS DRAWING MUST NOT CONTAIN FORMALDEHYDE, CADMIUM, MERCURY, ASBESTOS OR PBB/PBDO.

THIS DRAWING CONTAINS CONFIDENTIAL INFORMATION. IT'S PROPERTY OF ELECTROLUX WITHOUT WHOSE PERMISSION IT MAY NOT BE COPIED, SHOWN OR HANDED TO A THIRD PARTY OR OTHERWISE USED, AND IT IS TO BE RETURNED PROMPTLY UPON REQUEST TO ELECTROLUX WHICH IS RESPONSIBLE FOR THE DRAWING.

CRITICAL DIMENSIONS WHICH MUST BE UNDER CAPABILITY

SAFETY RISKS

--- : VISIBLE SURFACES
--- : DRAFT ANGLES (NOT SHOWN): 00°/0000°

THEORETICAL FLAT AREA

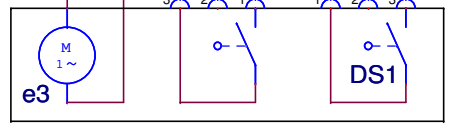
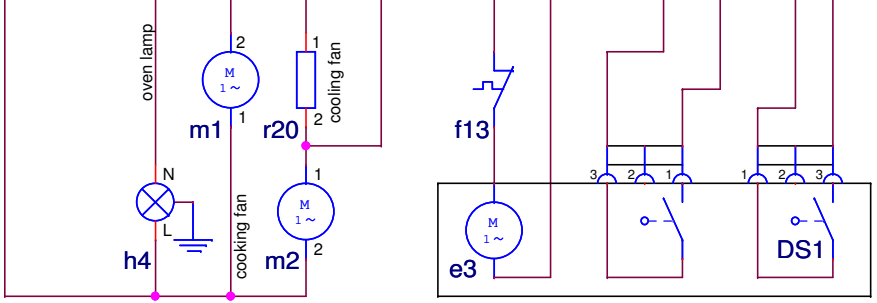
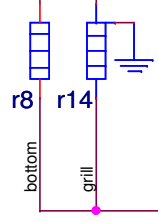
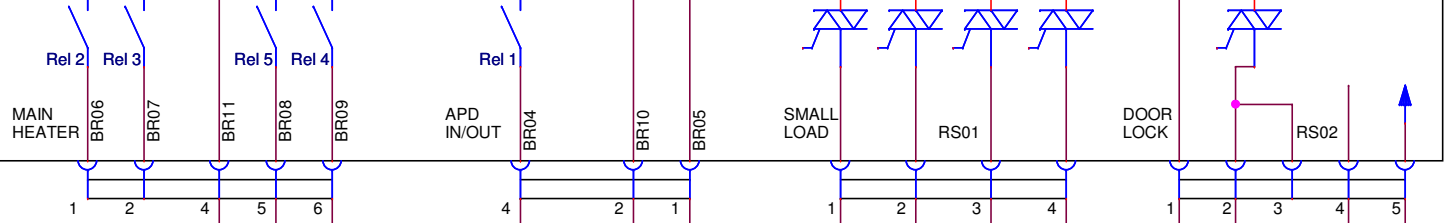
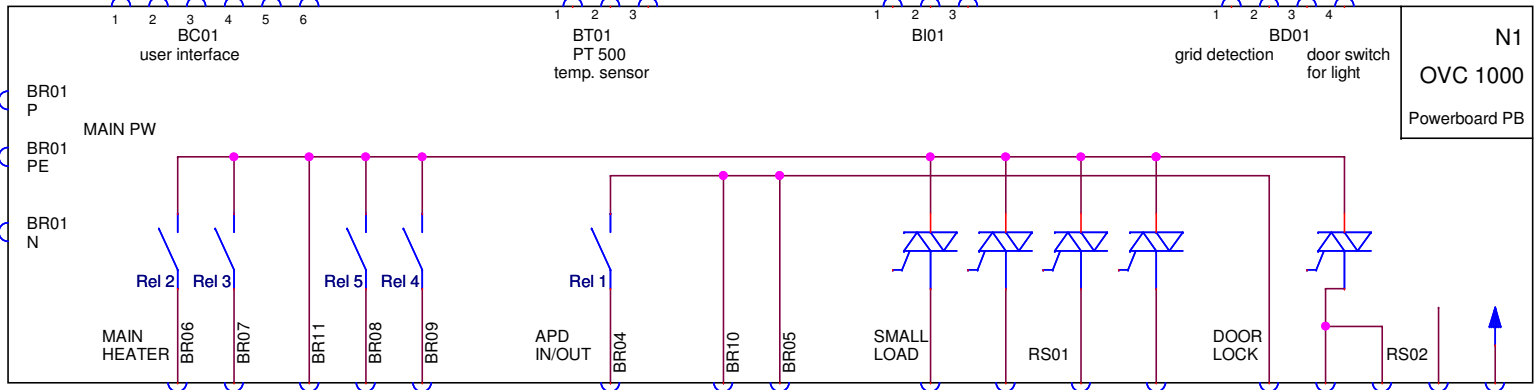
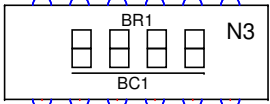
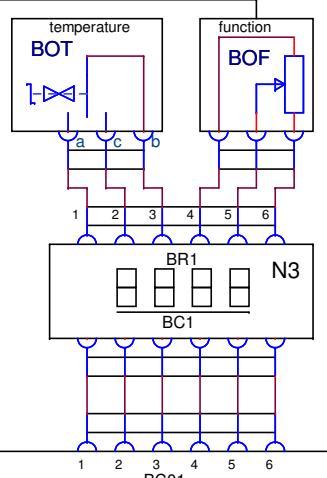
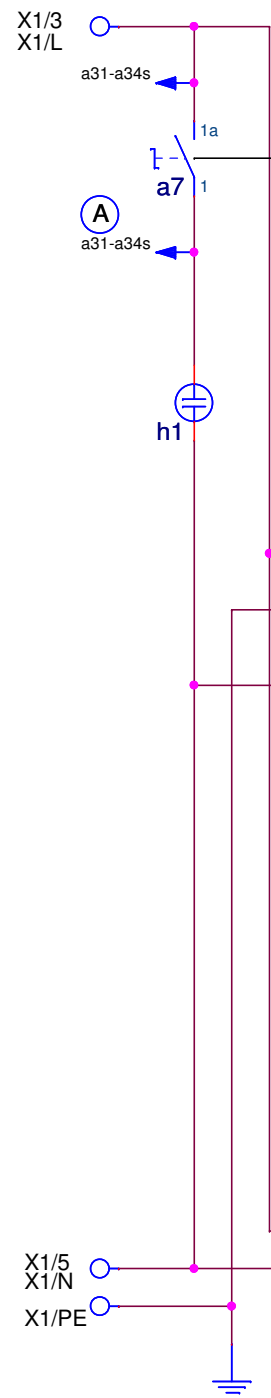
DEVELOPED FLAT AREA

GENERAL TOLERANCES

ANGLES : ±°

LENGTHS AND DIAMETERS:
18-80 mm. : ±°
>80 mm. : ±°

A4



A Anmerkung / Note

Nur bei Einbauerherde! only built under ovens!
Siehe Schaltplan der Muldenansteuerung. look up the circuit diagram hob activation.

| | | | | | | | | | | | | | | | | | | | | | | | | | | | | | | | |
|--------|--|--|--|---------------------|--|--|--|-----------|--|--|--|-----------|--|--|--|------------|--|--|--|----------------------|--|--|--|---------|--|--|--|-----------------|--|--|--|
| DESIGN | | | | OWNER | | | | DRN | | | | CHD | | | | DATE | | | | DESIGN | | | | USERS | | | | EUROPEAN METHOD | | | |
| DGT | | | | PD_HEO | | | | Renner | | | | Renner | | | | 2007-11-22 | | | | - | | | | - | | | | - | | | |
| A | | | | new drawing created | | | | Renner | | | | DGT 56899 | | | | 2007-11-22 | | | | SIGNATURE | | | | REQUEST | | | | DATE | | | |
| ZUST | | | | MODIFICATIONS | | | | SIGNATURE | | | | REQUEST | | | | DATE | | | | | | | | | | | | | | | |
| | | | | | | | | | | | | | | | | TITLE | | | | circuit diagram oven | | | | | | | | | | | |
| | | | | | | | | | | | | | | | | TITEL | | | | Schaltplan Herd | | | | | | | | | | | |
| | | | | | | | | | | | | | | | | NUMBER | | | | 387 6347 | | | | | | | | | | | |
| | | | | | | | | | | | | | | | | SHEET | | | | 01(01) | | | | | | | | | | | |
| | | | | | | | | | | | | | | | | REV | | | | A | | | | | | | | | | | |