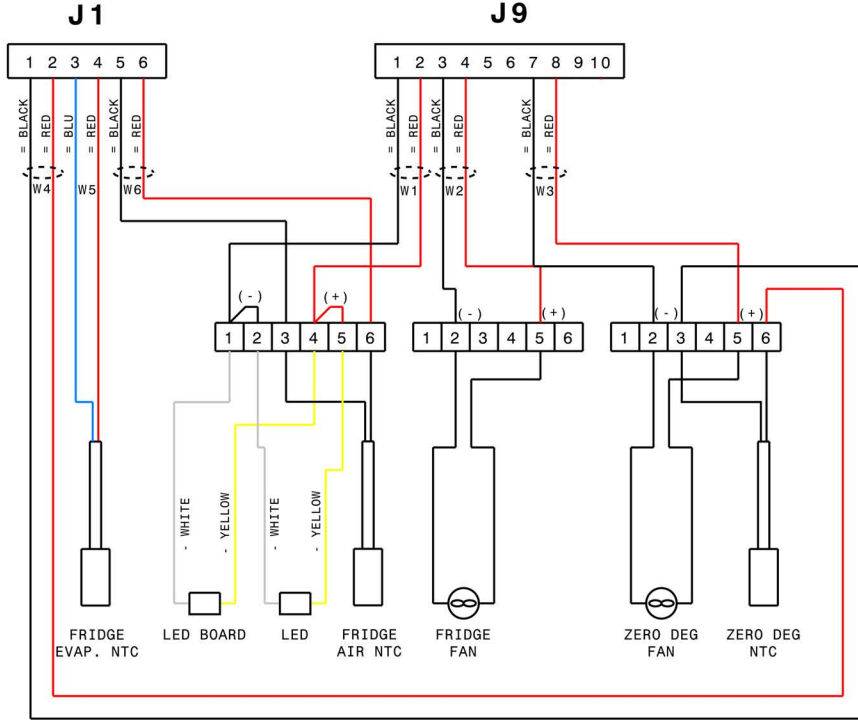


ERF 2002 POWER BOARD



ERF 2002 POWER BOARD

