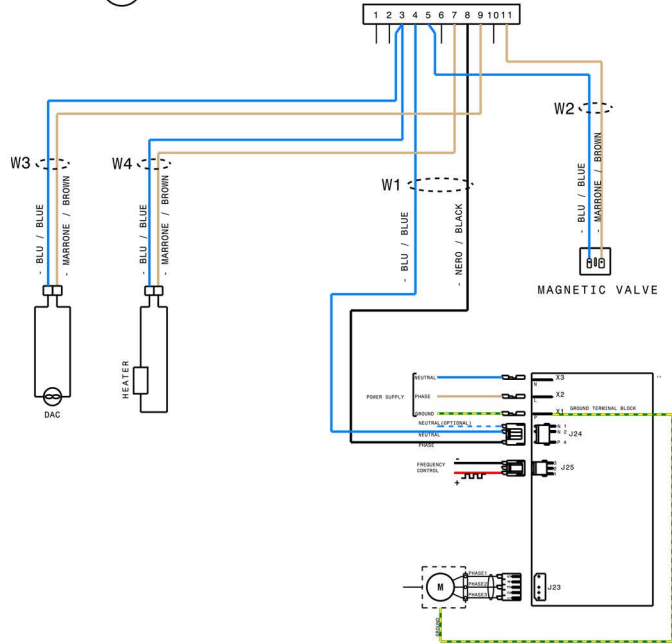


008

ERF 2002 POWER BOARD J2



ERF 2002 POWER BOARD J9

