

USER INTERFACE OR EXTERNAL LCD

1 2 3 4 5 6 7 8

SY_CLOCK J14-8
SY_IN J14-7
SY_OUT J14-6
GND J14-5
VEE(12V) J14-3
CS SAT J14-2
RES_SAT J14-1

FLOW SENSOR

1 2 3

FLOW_S J11-4
J11-3
J11-2
DOOR_S J11-1

ANALOGIC PRESSURE LEVEL

1 2 3

LEVEL_S J10-3
GND J10-2
J10-1

TEMPERATURE PROBE

NTC_S J9-8
J9-9

PREWASH VALVE

PWELV_TV J9-6
J9-4
J9-3

WASH VALVE

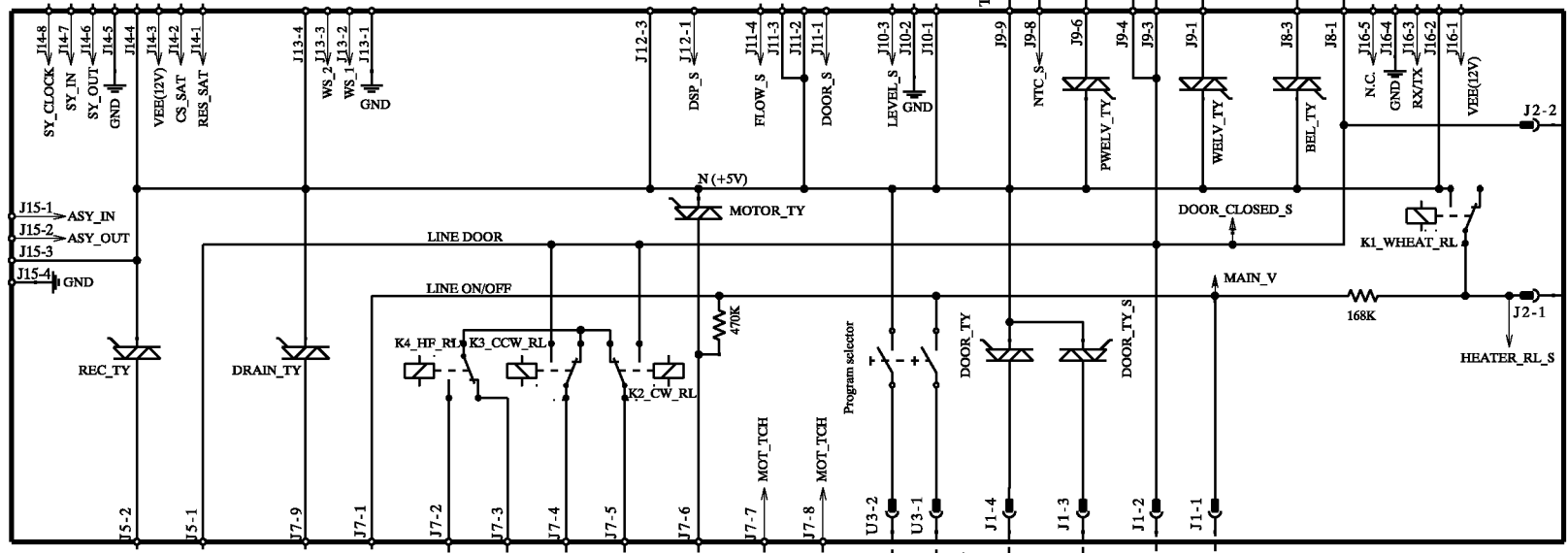
WELV_TV J9-1
J8-3

CONDENSATION VALVE

BEL_TV J8-1

HEATING ELEMENT

FUSE
FUSE



THERMAL PROTECTORS

RECIRCULATION PUMP

THERMAL PROTECTORS

DRAIN PUMP

MOTOR

1 2 3 4 5 6 7

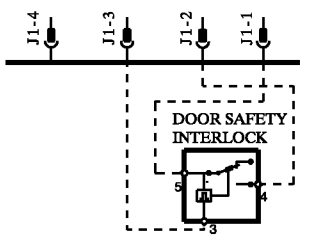
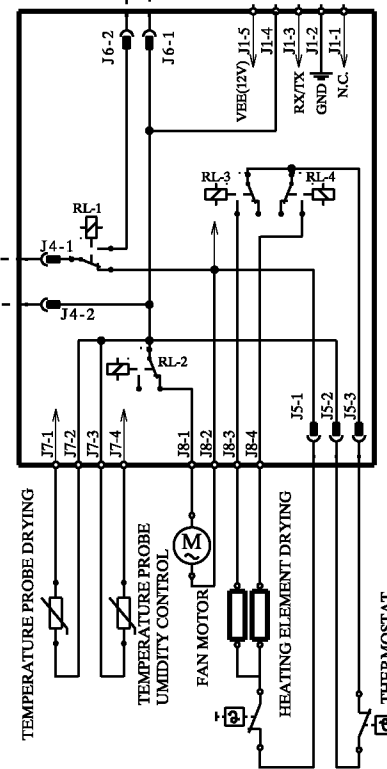
STATOR, ROTOR, THERMAL PROTECTORS, STATOR

ANTI-INTERFERENCE FILTER

LINE, NEUTRAL

DOOR SAFETY INTERLOCK

1 2 3 4 5 6



ELECTRIC DIAGRAM