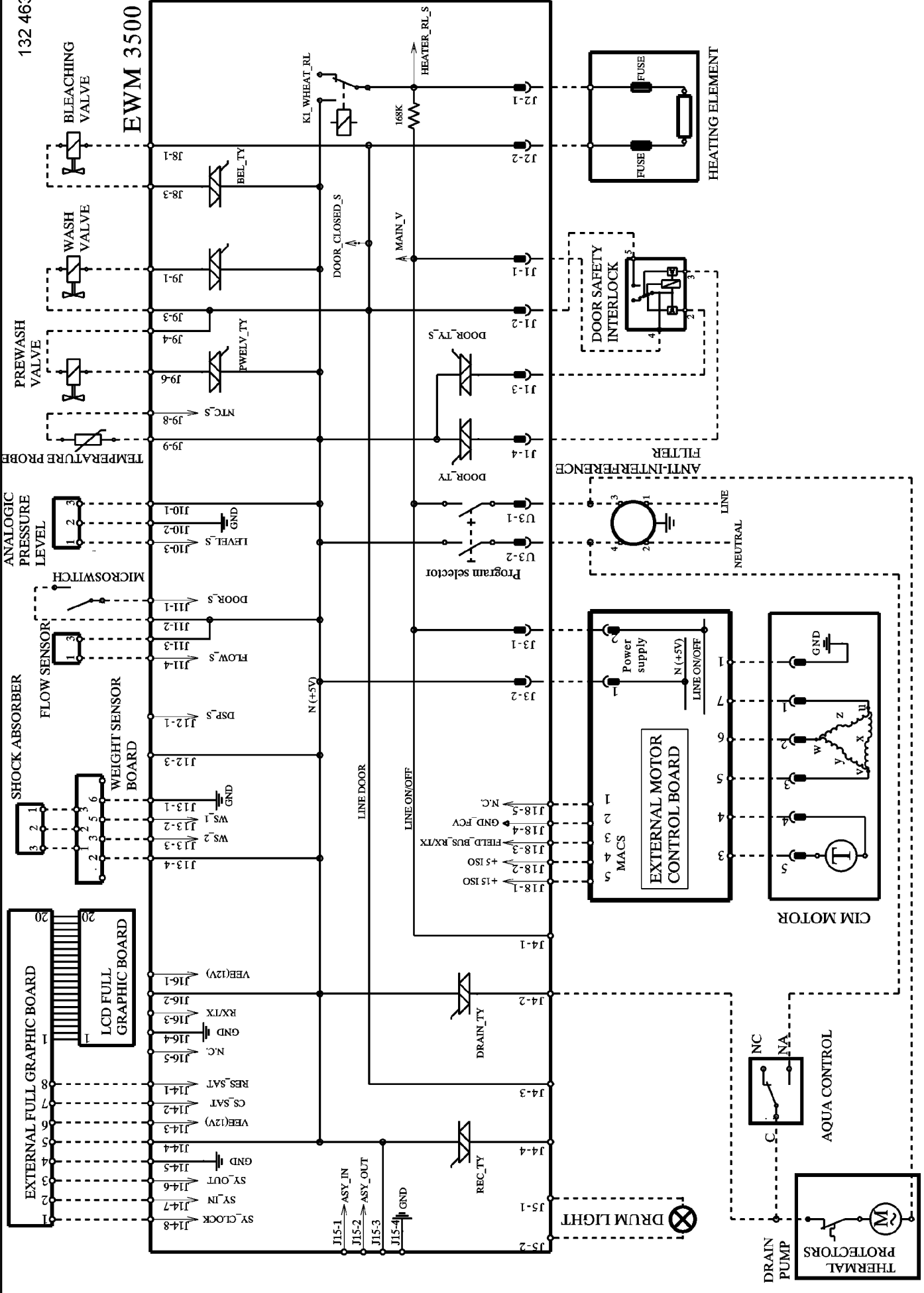


# EWM 3500



SHOCK ABSORBER

WEIGHT SENSOR BOARD

FLOW SENSOR

MICROSWITCH

ANALOGIC PRESSURE LEVEL

TEMPERATURE PROBE

PREWASH VALVE

WASH VALVE

BLEACHING VALVE

DOOR SAFETY INTERLOCK

ANTI-INTERFERENCE FILTER

EXTERNAL MOTOR CONTROL BOARD

CIM MOTOR

HEATING ELEMENT

DRUM LIGHT

THERMAL PROTECTORS

DRAIN PUMP

AQUA CONTROL

REC.TV

DRAIN.TV

DOOR.TV

DOOR.TY.S

DOOR.CLOSED.S

HEATER.RL.S

KI.WHEAT.RL

BEL.TY

FWELV.TY

MTC.S

LEVEL.S

DOOR.S

FLOW.S

DSP.S

WS.1

WS.2

LINE DOOR

LINE ON/OFF

FIELD.BUS.RX/TX

GND.FCV

N.C.

+5 ISO

+15 ISO

N(+5V)

LINE ON/OFF

NEUTRAL

LINE

Power supply

MACS

1

2

3

4

5

6

7

GND

W

Y

Z

NC

NA

C

ASY\_IN

ASY\_OUT

GND

168K

168K

FUSE

FUSE

1

2

3

4

1

2

3

4

1

2

3

4

1

2

3

4

1

2

3

4

1

2

3

4

1

2

3

4

1

2

3

4

1

2

3

4

1

2

3

4

1

2

3

4

1

2

3

4

1

2

3

4

1

2

3

4

1

2

3

4

1

2

3

4

1

2

3

4

1

2

3

4

1

2

3

4

1

2

3

4

1

2

3

4

1

2

3

4

1

2

3

4

1

2

3

4

1

2

3

4

1

2

3

4

1

2

3

4

1

2

3

4

1

2

3

4

1

2

3

4

1

2

3

4

1

2

3

4

1

2

3

4

1

2

3

4

1

2

3

4

1

2

3

4

1

2

3

4

1

2

3

4

1

2

3

4

1

2

3

4

1

2

3

4

1

2

3

4

1

2

3

4

1

2

3

4

1

2

3

4

1

2

3

4

1

2

3

4

1

2

3

4

1

2

3

4

1

2

3

4

1

2

3

4

1

2

3

4

1

2

3

4

1

2

3

4

1

2

3

4

1

2

3

4

1

2

3

4

1

2

3

4

1

2

3

4

1

2

3

4

1

2

3

4

1

2

3

4

1

2

3

4

1

2

3

4

1

2

3