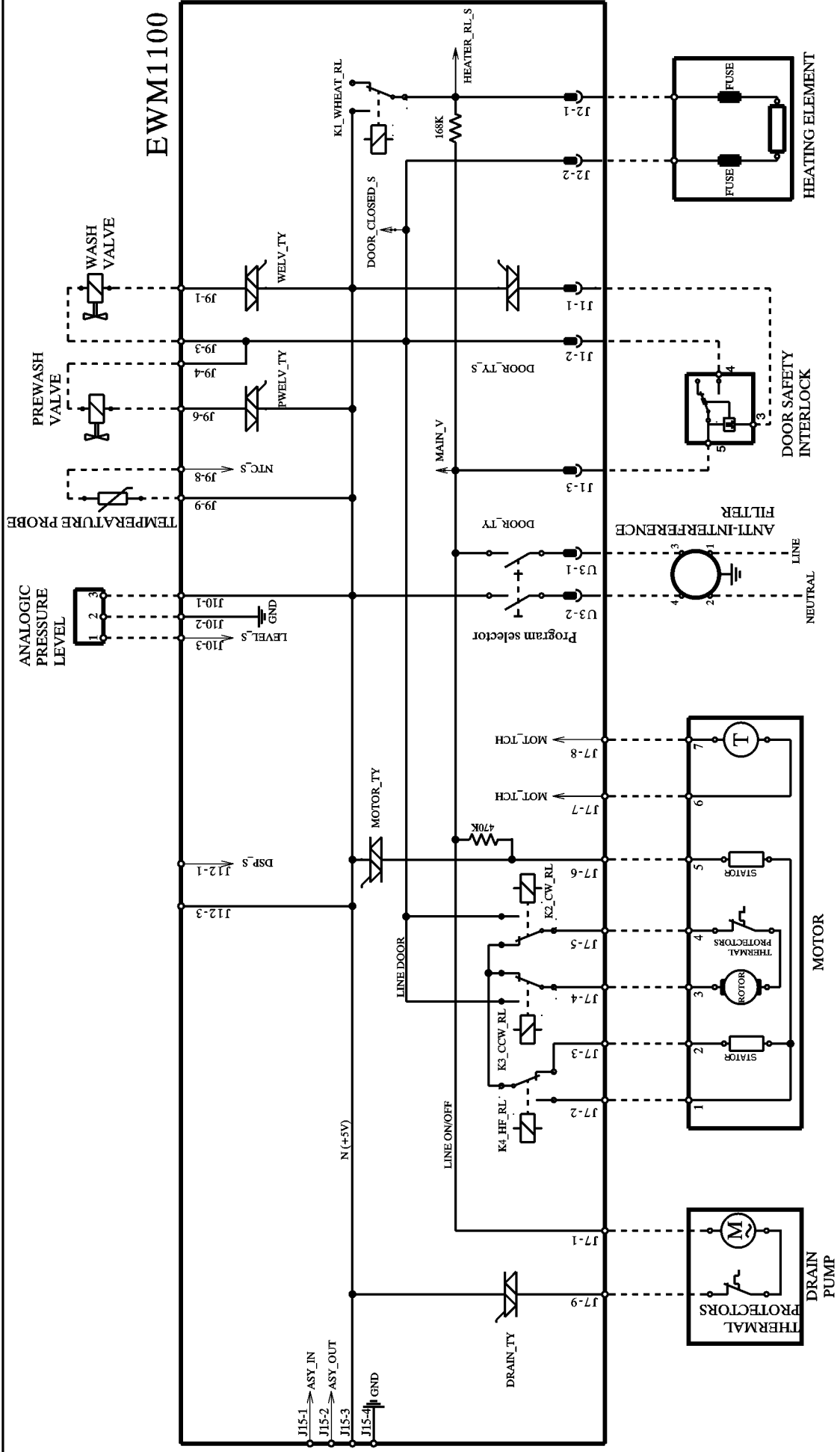


EWM1100



HEATING ELEMENT

DOOR SAFETY INTERLOCK

ANT-INTERFERENCE FILTER

MOTOR

DRAIN PUMP

ANALOGIC PRESSURE LEVEL

PREWASH VALVE

WASH VALVE

TEMPERATURE PROBE

J15-1 ASY_IN
J15-2 ASY_OUT
J15-3
J15-4 GND

DSP_S

LEVEL_S

NTC_S

WELV_TY

K1_WHEAT_RL

LINE ON/OFF

MOTOR_TY

DOOR_CLOSED_S

HEATER_RL_S

LINE DOOR

DOOR_TY

DOOR_TY_S

MAIN_V

DRAIN_TY

K4_HF_RL

K3_CCW_RL

Program selector

ANT-INTERFERENCE

DOOR_TY

470K

168K

168K

MOT_TCH

MOT_TCH

J7-1

J7-2

J7-3

J7-4

J7-5

J7-6

J7-7

J7-8

J7-9

J12-1

J12-2

J11-1

J11-2

J11-3

J10-1

J10-2

J10-3

J9-1

J9-3

J9-6

J9-8

J9-9

J1-1

J1-2

J1-3

J2-1

J2-2

J3-1

J3-2

J3-3

J4-1

J4-2

J4-3

J5-1

J5-2

J5-3

J5-4

J5-5

J5-6

J5-7

J5-8

J5-9

J5-10

J5-11

J5-12

J5-13

J5-14

J5-15

J5-16

J5-17

J5-18

J5-19

J5-20

J5-21

J5-22

J5-23

J5-24

J5-25

J5-26

J5-27

J5-28

J5-29

J5-30

J5-31

J5-32

J5-33

J5-34

J5-35

J5-36

J5-37

J5-38

J5-39

J5-40

J5-41

J5-42

J5-43

J5-44

J5-45

J5-46

J5-47

J5-48

J5-49

J5-50

J5-51

J5-52

J5-53

J5-54

J5-55

J5-56

J5-57

J5-58

J5-59

J5-60

J5-61

J5-62

J5-63

J5-64

J5-65

J5-66

J5-67

J5-68

J5-69

J5-70

J5-71

J5-72

J5-73

J5-74

J5-75

J5-76

J5-77

J5-78

J5-79

J5-80

J5-81

J5-82

J5-83

J5-84

J5-85

J5-86

J5-87

J5-88

J5-89

J5-90

J5-91

J5-92

J5-93

J5-94

J5-95

J5-96

J5-97

J5-98

J5-99

J5-100