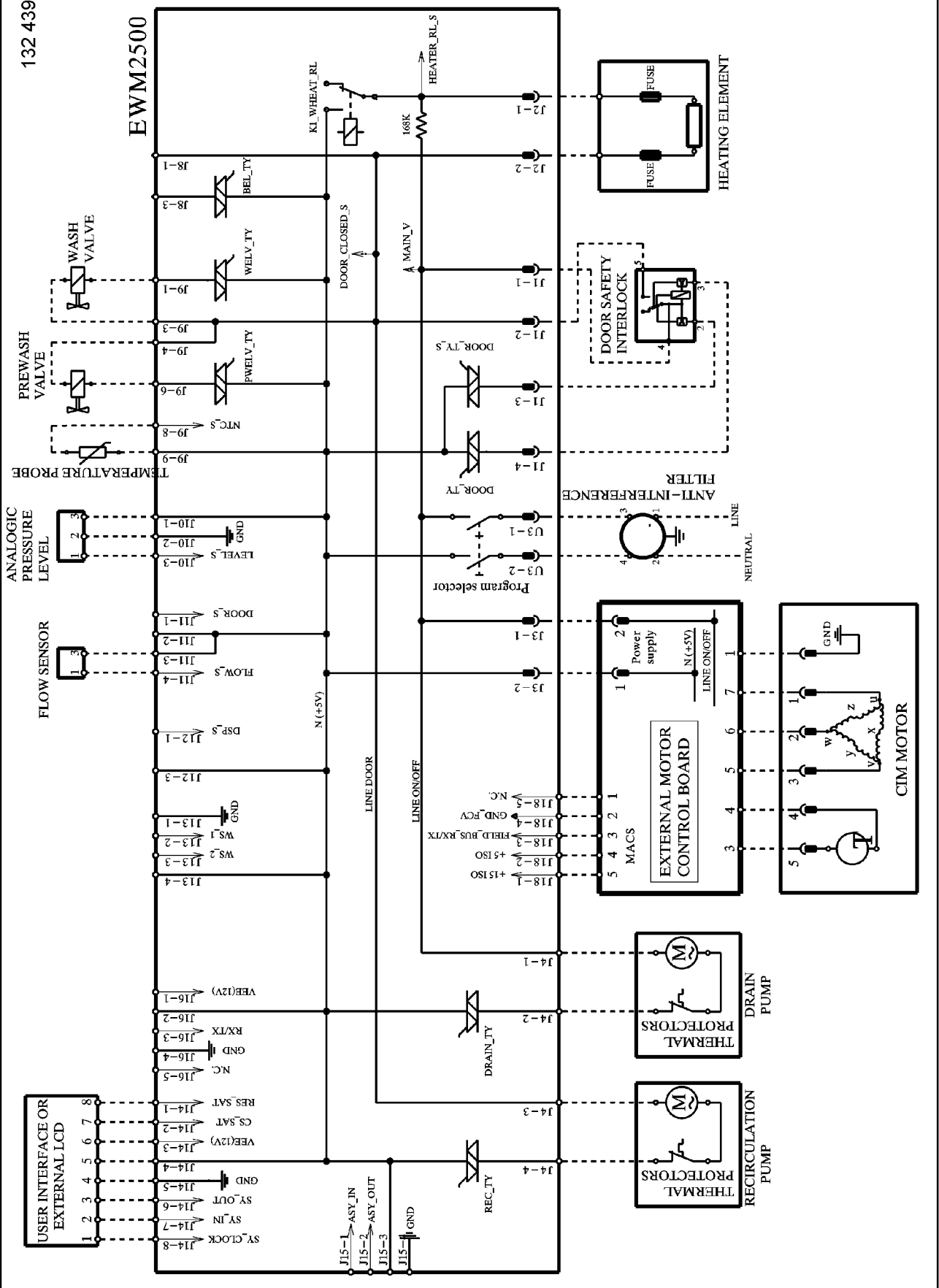


EWM2500



ANALOGIC PRESSURE LEVEL

FLOW SENSOR

PREWASH VALVE

WASH VALVE

EXTERNAL MOTOR CONTROL BOARD

Power supply

MACS

1 2

3 4 5

6 7

8

N(+5V)

LINE ON/OFF

CIM MOTOR

1 2 3 4 5

6 7

W X Y Z

GND

THERMAL PROTECTORS

DRAIN PUMP

THERMAL PROTECTORS

RECIRCULATION PUMP

HEATING ELEMENT

FUSE

DOOR SAFETY INTERLOCK

ANTI-INTERFERENCE FILTER

LINE

NEUTRAL

USER INTERFACE OR EXTERNAL LCD

1 2 3 4 5 6 7 8

SY_CLOCK

SY_IN

SY_OUT

GND

VEE(12V)

RES_SAT

CS_SAT

RX/TX

GND

N.C.

J15-1 ASY_IN

J15-2 ASY_OUT

J15-3

J15-4 GND

J18-1 +15 ISO

J18-2 +5 ISO

J18-3 FIELD_BUS_RX/TX

J18-4 GND_PCV

J18-5 N.C.

J3-1

J3-2

J3-3

Program selector

J2-1

J2-2

