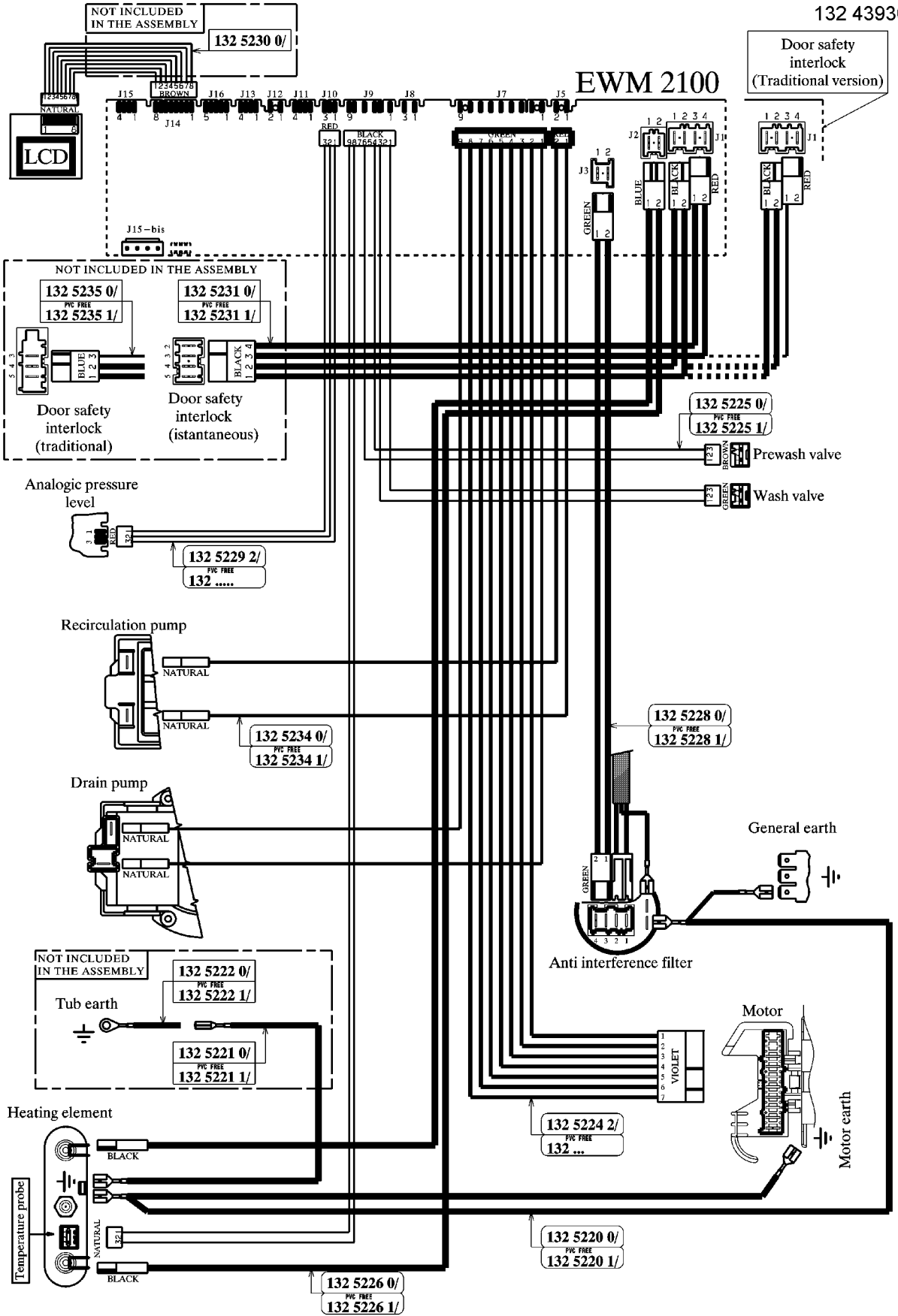


EWM 2100



NOT INCLUDED IN THE ASSEMBLY

132 5230 0/

Door safety interlock (Traditional version)



J15-bis

NOT INCLUDED IN THE ASSEMBLY

132 5235 0/ PVC FREE
132 5235 1/

132 5231 0/ PVC FREE
132 5231 1/

Door safety interlock (traditional)

Door safety interlock (instantaneous)

Analogic pressure level

132 5229 2/ PVC FREE
132

132 5225 0/ PVC FREE
132 5225 1/

Prewash valve

Wash valve

Recirculation pump

132 5234 0/ PVC FREE
132 5234 1/

132 5228 0/ PVC FREE
132 5228 1/

Drain pump

General earth

NOT INCLUDED IN THE ASSEMBLY

132 5222 0/ PVC FREE
132 5222 1/

Tub earth

132 5221 0/ PVC FREE
132 5221 1/

Anti interference filter

Motor

Motor earth

Heating element

132 5224 2/ PVC FREE
132 ...

Temperature probe

132 5220 0/ PVC FREE
132 5220 1/

132 5226 0/ PVC FREE
132 5226 1/