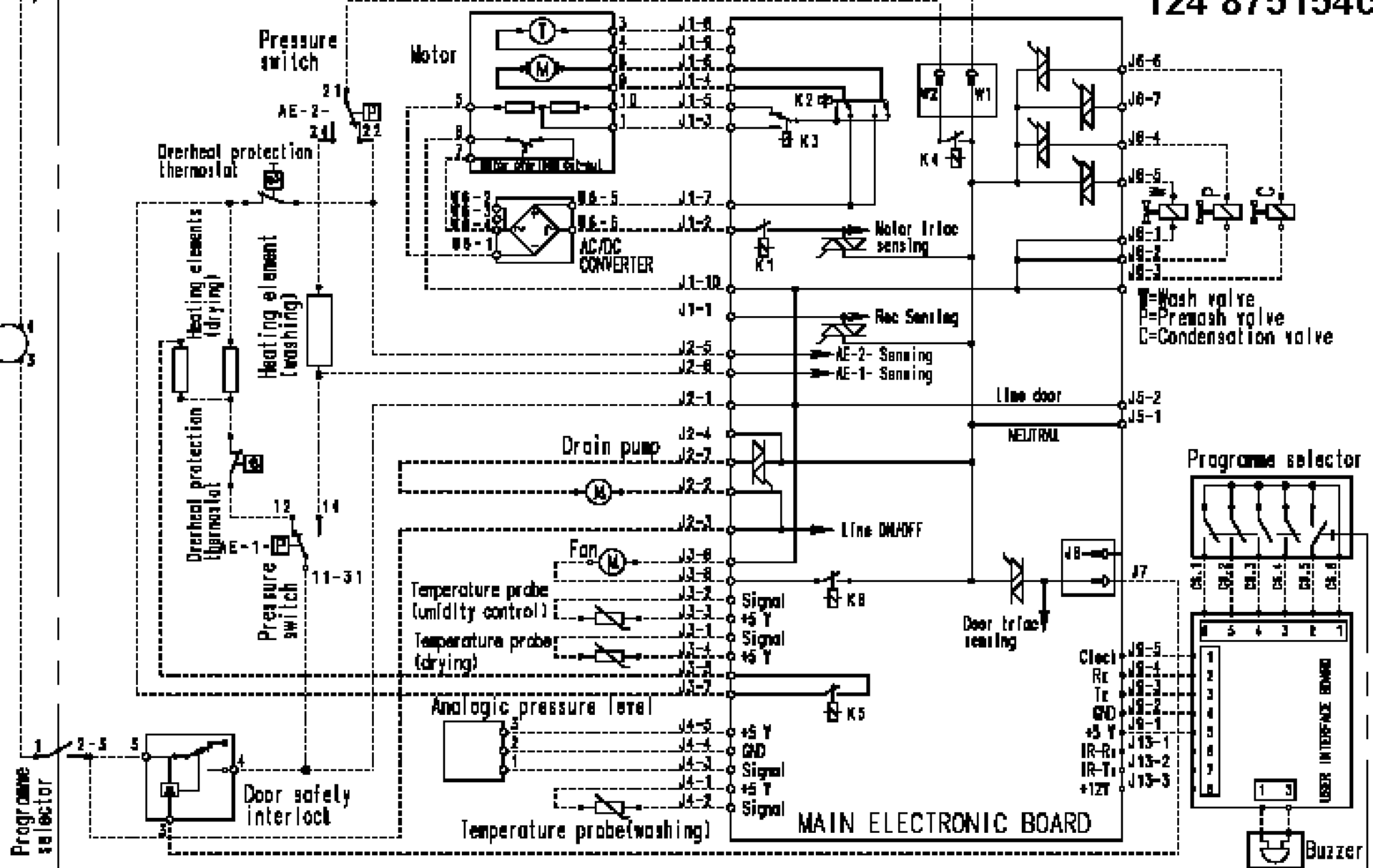
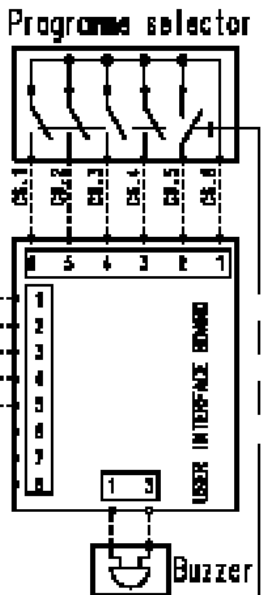


ANTI-Interference filter



W= Wash valve
 P= Prewash valve
 C= Condensation valve

MAIN ELECTRONIC BOARD



Clct
 Rr
 Tr
 GND
 +5 V
 IR-Rr
 IR-Tr
 +12V

J6-5
 J6-1
 J6-2
 J6-2
 J6-1
 J13-1
 J13-2
 J13-3

Line door
 NEUTRAL

Signal +5 V
 Signal +5 V
 Signal +5 V

Temperature probe (washing)

Analogic pressure level

Temperature probe (humidity control)
 Temperature probe (drying)

Fan

Drain pump

Motor

Pressure switch
 AE-2
 AE-1

Overhaul protection thermostat

Heating elements (drying)
 Heating element (washing)

Overhaul protection thermostat

Pressure switch
 AE-1

Door safety interlock

Programme selector

Programme selector

Buzzer