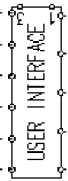
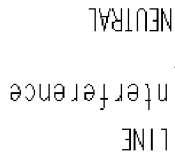
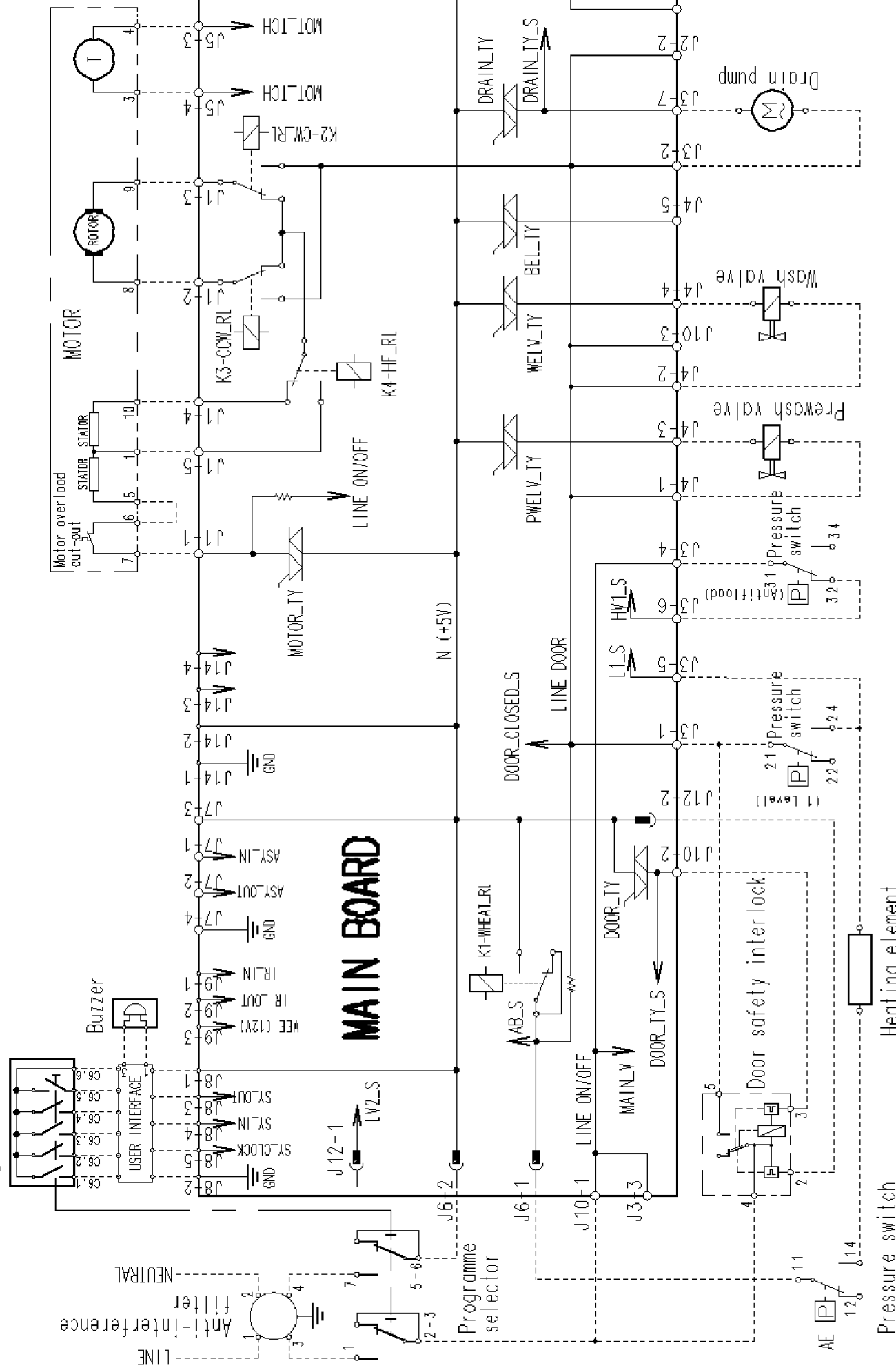


Programme selector



MAIN BOARD



Pressure switch

Heating element

Pressure switch (1 Level)

Pressure switch

Prewash valve

Wash valve

Drain pump

DRAINITY_S

DRAINLTY

LV1-S

J5-1

J5-2

J5-3

J5-4

J5-5

J5-6

J5-7

J5-8

J5-9

J5-10

J5-11

J5-12

J5-13

J5-14

J5-15

J5-16

J5-17

J5-18

J5-19

J5-20

J5-21

J5-22

J5-23

J5-24

J5-25

J5-26

J5-27

J5-28

J5-29

J5-30

J5-31

J5-32

J5-33

J5-34

J5-35

J5-36

J5-37

J5-38

J5-39

J5-40

J5-41

J5-42

J5-43

J5-44

J5-45

J5-46

J5-47

J5-48

J5-49

J5-50

J5-51

J5-52

J5-53

J5-54

J5-55

J5-56

J5-57

J5-58

J5-59

J5-60

J5-61

J5-62

J5-63

J5-64

J5-65

J5-66

J5-67

J5-68

J5-69

J5-70

J5-71

J5-72

J5-73

J5-74

J5-75

J5-76

J5-77

J5-78

J5-79

J5-80

J5-81

J5-82

J5-83

J5-84

J5-85

J5-86

J5-87

J5-88

J5-89

J5-90

J5-91

J5-92

J5-93

J5-94

J5-95

J5-96

J5-97

J5-98

J5-99

J5-100