

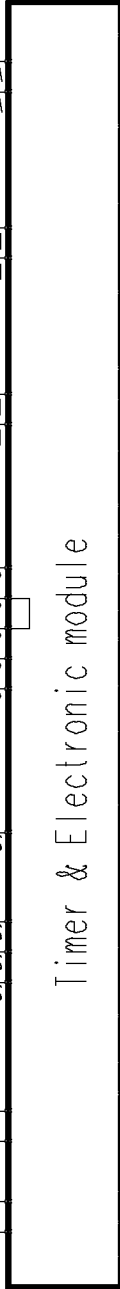
Rinse Hold Button Super_rinse button

No Spin Button

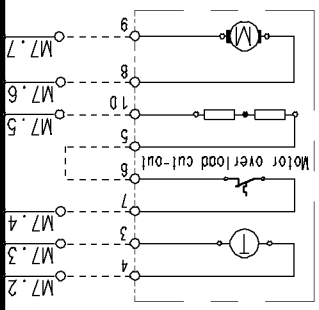
H2.1 H2.2 X2.1 X2.2

J5.1 J5.2 J5.3 J5.4 J5.5

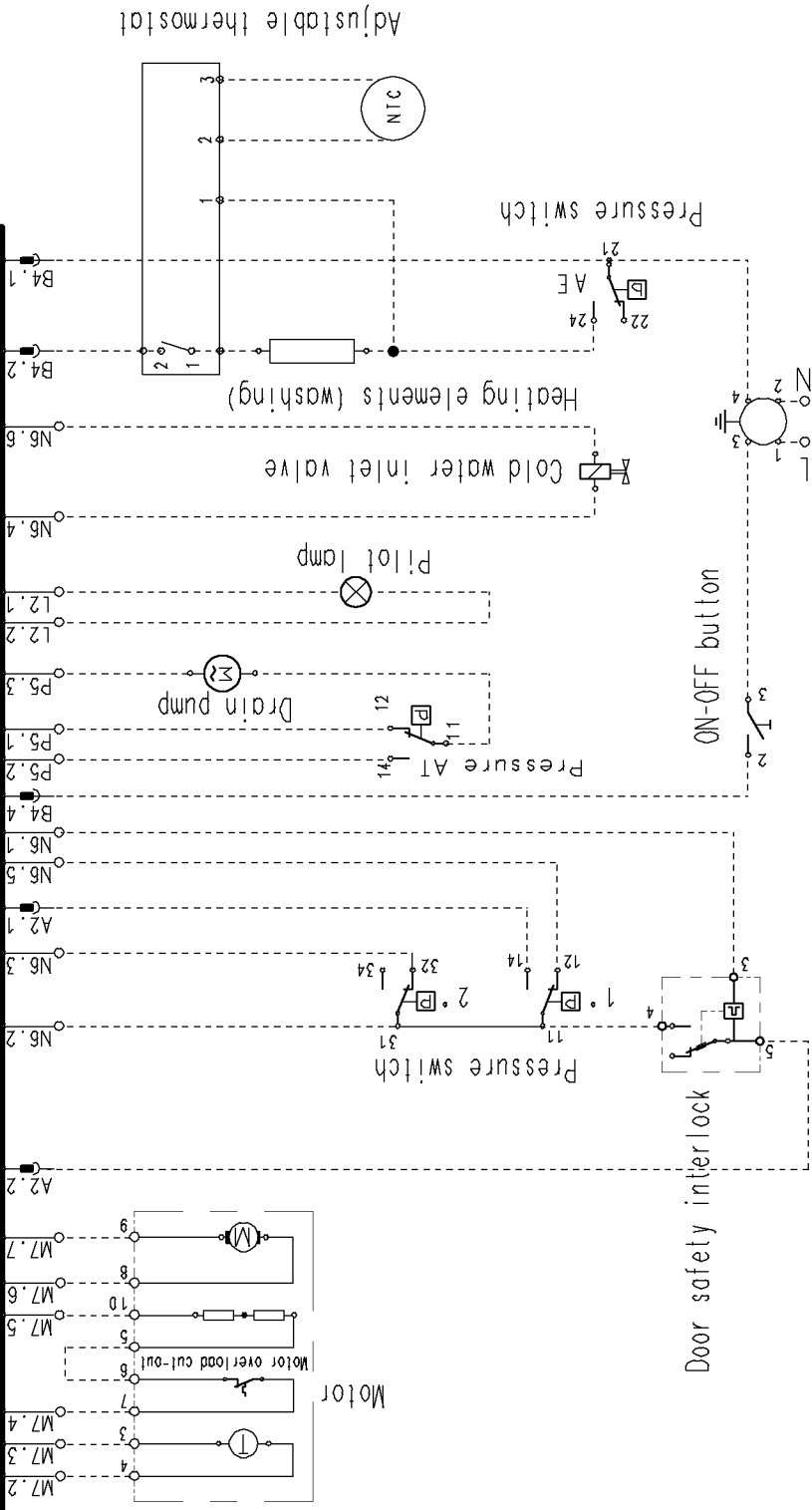
R2.1 R2.2 F2.1 F2.2 W2.1 W2.2



Timer & Electronic module



Motor



Adjustable thermostat

Pressure switch

Heating elements (washing)

Pressure switch

Door safety interlock

ON-OFF button

Pressure AT

Drain pump

Pilot lamp

Cold water inlet valve

NTC

