

Temperature probe

Motor

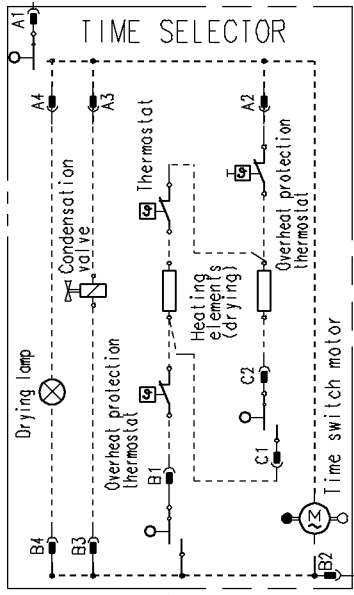
Door safety interlock

Pressure switch

ON-OFF button

Anti-interference filter

Pilot lamp



Drain pump

Fan motor

Cold water inlet valve

Heating elements (washing)

Timer & Electronic module

Rinse-hold button

Adjustable thermostat

Spin reduction button

Time selector