

Temperature probe

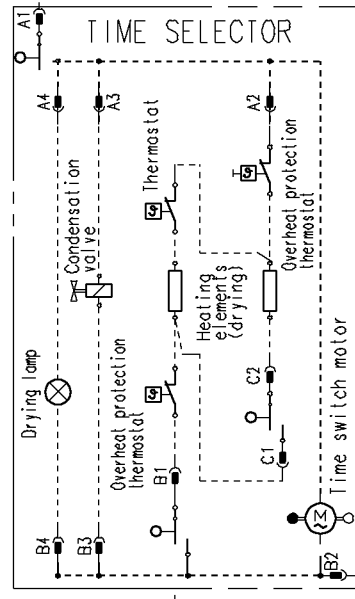
Motor

Door safety interlock

Pressure switch

ON-OFF button

Anti-interference filter



Drain pump

Fan motor

Cold water inlet valve

Heating elements (washing)

Timer & Electronic module

Short cycle button

Adjustable thermostat

Spin reduction button