

Temperature probe

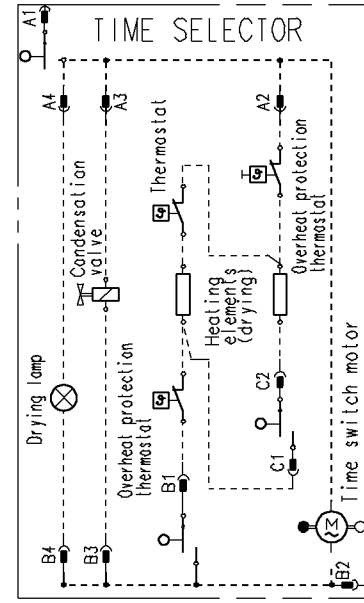
Motor

Door safety interlock

Pressure switch

ON-OFF button

Anti-interference filter



Timer & Electronic module

Drain pump

Fan motor

Cold water inlet valve

Heating elements (washing)

Pressure switch

Short cycle button

Spin reduction button

Adjustable thermostat