

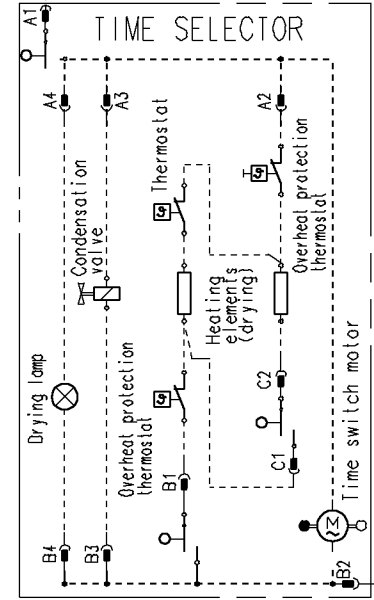
Temperature probe

Motor

Door safety interlock

Pressure switch

ON-OFF button



Timer & Electronic module

Drain pump

Fan motor

Cold water inlet valve

Heating elements (washing)

Pressure switch

Short cycle button

Adjustable thermostat

Anti-interference filter