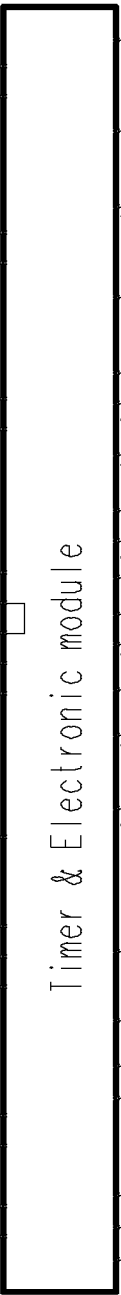


No Spin Button

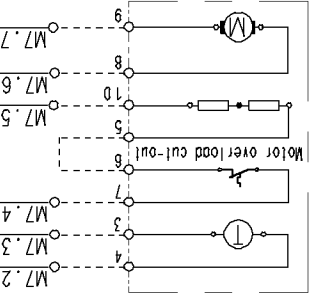
Super Rinse Button

Half load button

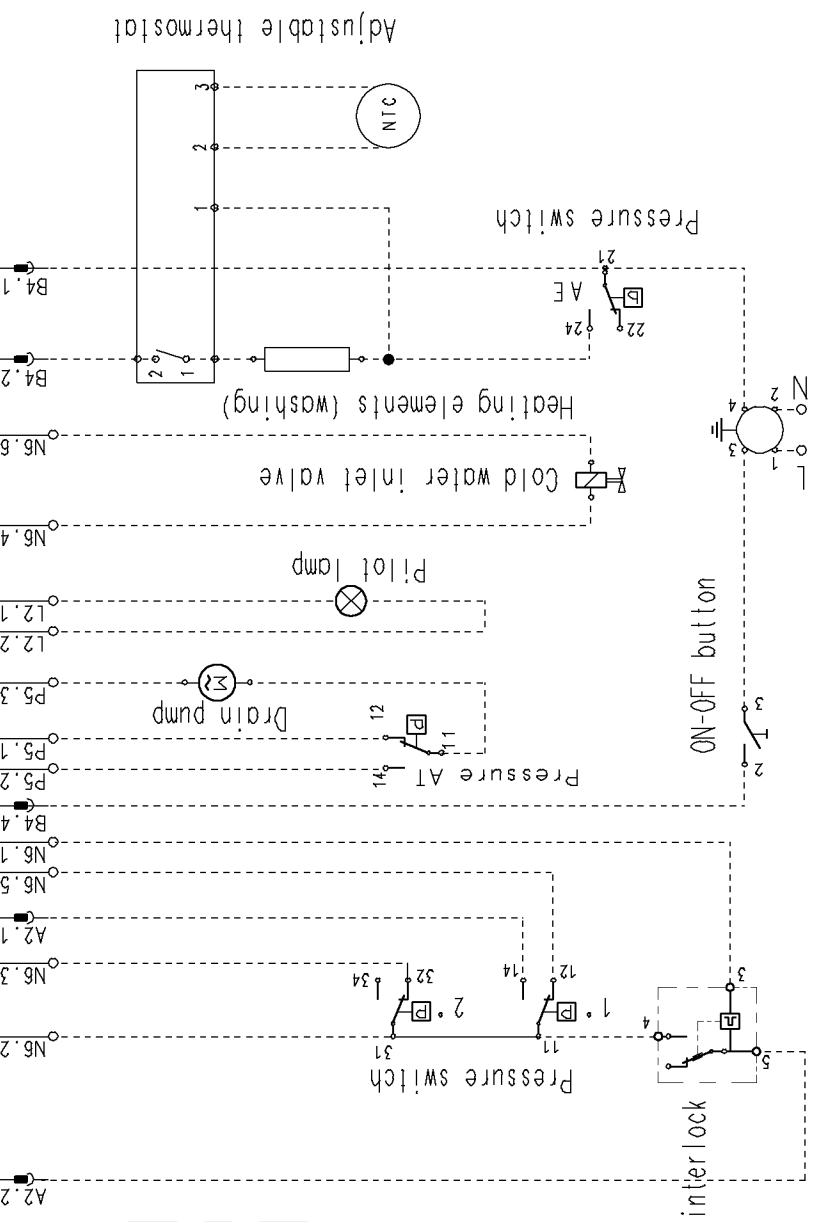
S4.1 S4.2 S4.3 S4.4 S4.1 S4.2 S4.3 S4.4 S5.1 S5.2 S5.3 S5.4 S5.5 R2.1 R2.2 F2.1 F2.2 W2.1 W2.2



Timer & Electronic module



Motor



Adjustable thermostat

Pressure switch

Heating elements (washing)

Cold water inlet valve

Pilot lamp

Drain pump

Pressure AT

Pressure switch

Door safety interlock

ON-OFF button

NTC

AE

