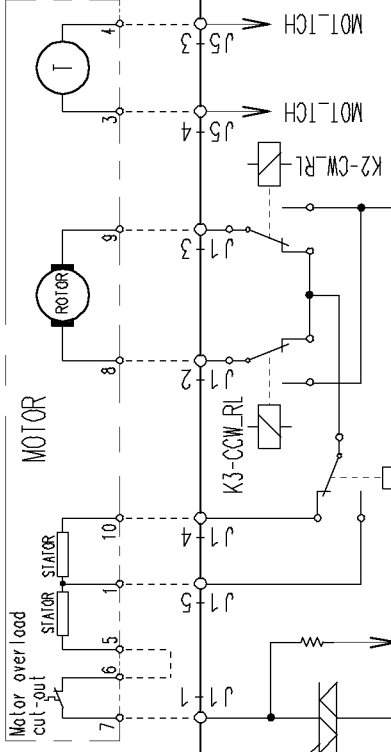
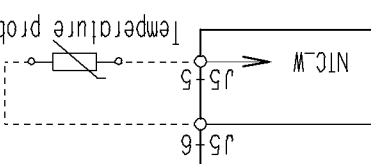
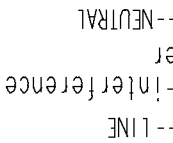
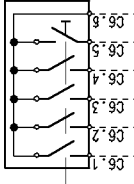


Programme selector



MAIN BOARD

N (+5V)

GROUND

ASY-IN, ASY-OUT, IR-IN, IR-OUT, VEE (12V), GND

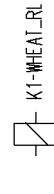
J12-1, LV2.S

J6-1, J6-2, J10-1, J3-3

J14-1, J14-2, J14-3, J14-4, J7-3, J7-1, J7-2, J7-4

J1-1, J1-2, J1-3, J1-4, J1-5, J1-6, J1-7, J1-8, J1-9, J1-10, J3-1, J3-2, J3-3, J3-4, J3-5, J3-6, J3-7, J4-1, J4-2, J4-3, J4-4, J4-5, J4-6, J4-7, J5-1, J5-2, J5-3, J5-4, J5-5, J5-6, J5-7, J5-8, J5-9, J5-10

Programme selector



Pressure switch

Heating element

