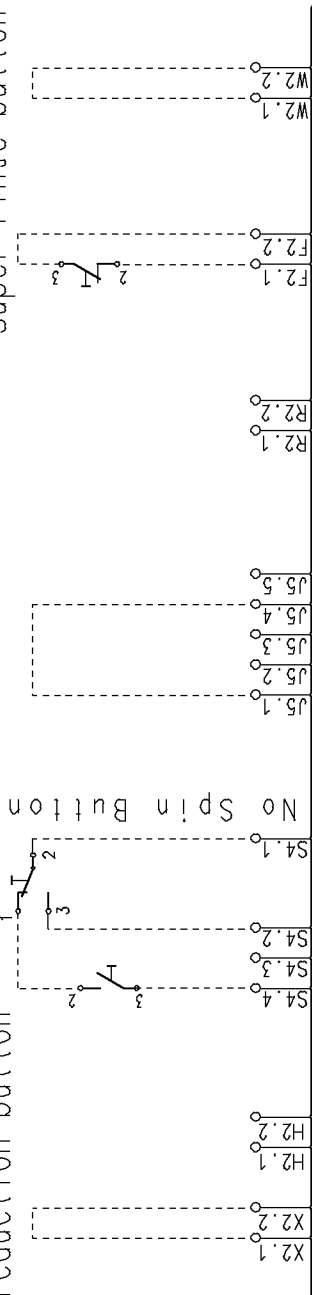
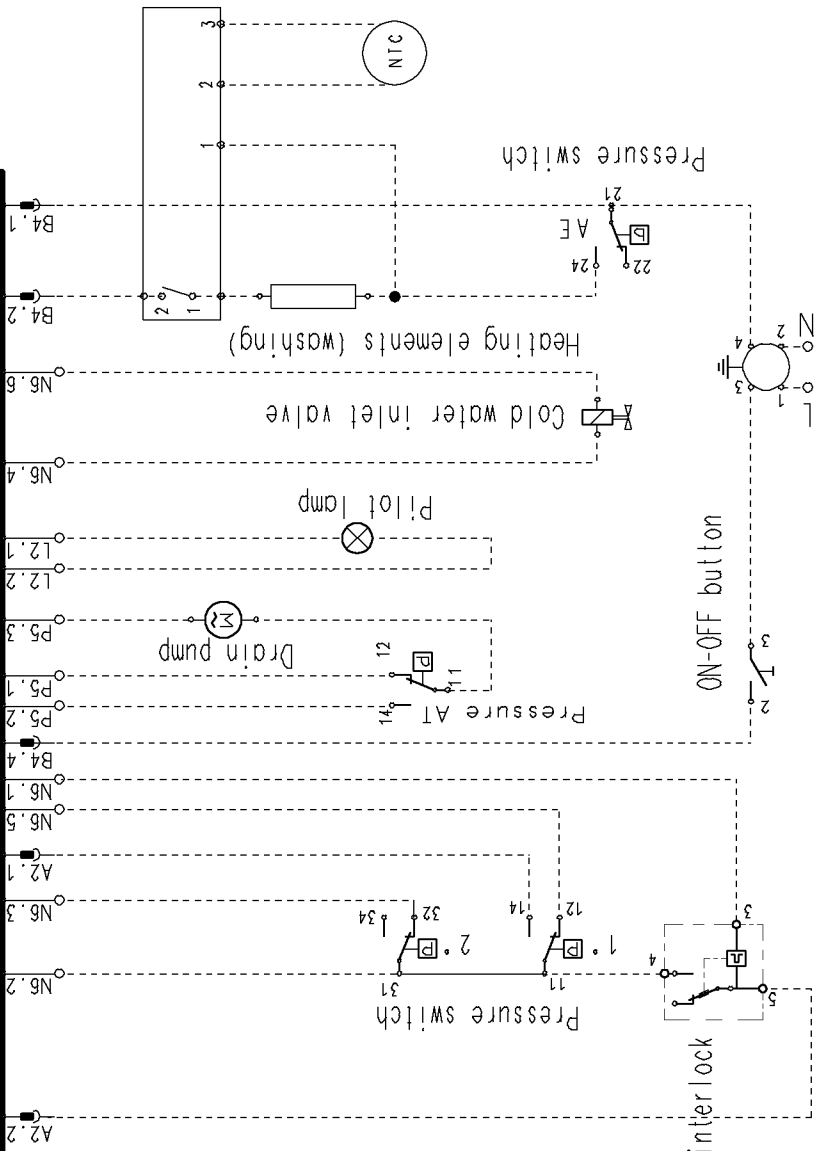
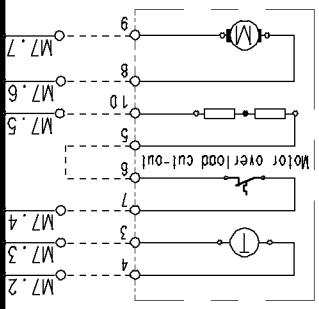


Super rinse button

Spin reduction button



Timer & Electronic module



Door safety interlock

ON-OFF button

Pressure switch

Heating elements (washing)

Pilot lamp

Drain pump

Pressure switch

Adjustable thermostat

Motor

Pressure AT