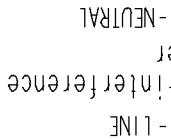
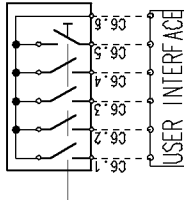
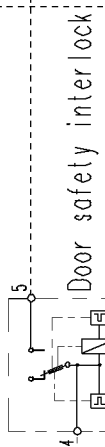
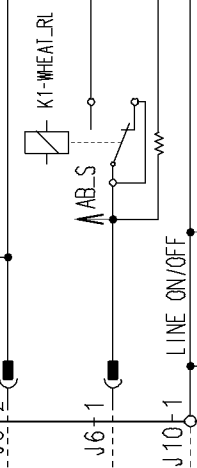


Programme selector



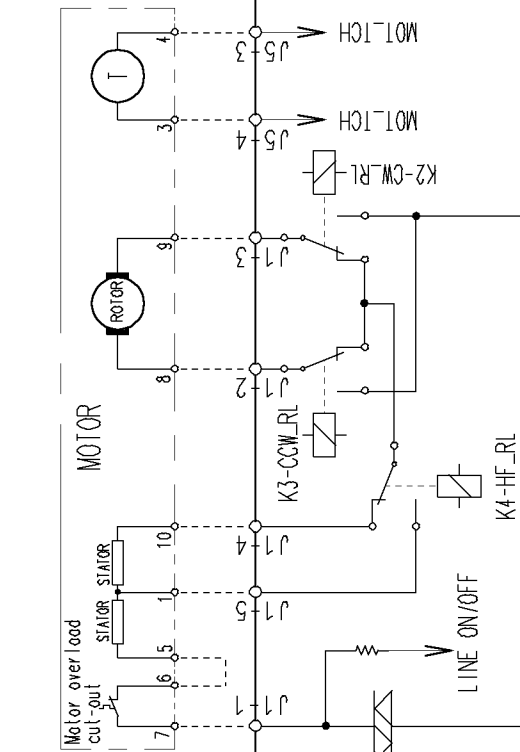
MAIN BOARD

Programme selector



Pressure switch

Heating element

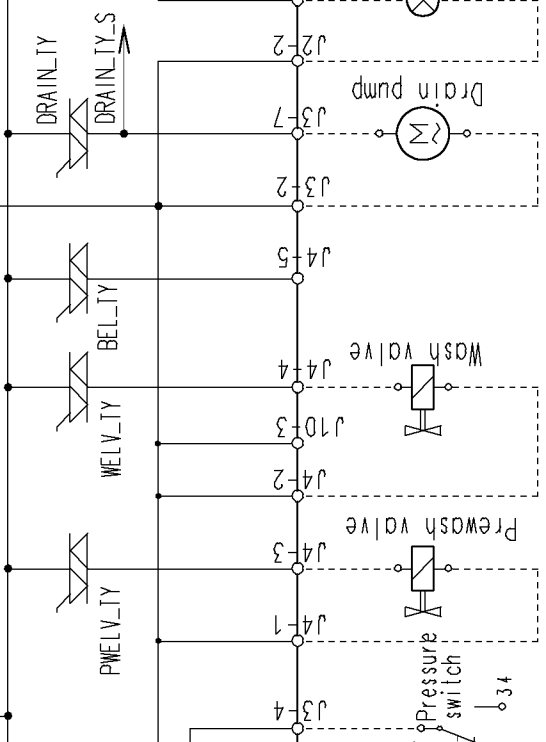


Motor over load cut-out

MOTOR

LINE ON/OFF

N (+5V)



Drain pump

Wash valve

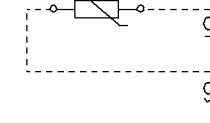
Prewash valve

Pressure switch

Pressure switch

Pressure switch (1 level)

Temperature probe



MOT_TCH

MOT_TCH

K2-CW_RL

J1-1, J1-2, J1-3, J1-4, J1-5, J1-6, J1-7, J1-8, J1-9, J1-10

K3-CW_RL

K4-HF_RL

MOTOR_TY

J1-1, J1-2, J1-3, J1-4, J1-5, J1-6, J1-7, J1-8, J1-9, J1-10

J14-1, J14-2, J14-3, J14-4

J7-1, J7-2, J7-3, J7-4

J7-1, J7-2, J7-3, J7-4

J7-1, J7-2, J7-3, J7-4

J9-1, J9-2, J9-3

J9-1, J9-2, J9-3

J8-1, J8-2, J8-3, J8-4, J8-5, J8-6, J8-7, J8-8

J12-1, LV2_S

J6-1, J6-2

J10-1, J10-2

J2-1, J2-2

J3-1, J3-2, J3-3, J3-4, J3-5, J3-6, J3-7, J3-8

J4-1, J4-2, J4-3, J4-4, J4-5

J5-1, J5-2, J5-3, J5-4, J5-5, J5-6, J5-7, J5-8

J5-1, J5-2, J5-3, J5-4, J5-5, J5-6, J5-7, J5-8

J5-1, J5-2, J5-3, J5-4, J5-5, J5-6, J5-7, J5-8

J5-1, J5-2, J5-3, J5-4, J5-5, J5-6, J5-7, J5-8

J5-1, J5-2, J5-3, J5-4, J5-5, J5-6, J5-7, J5-8

J5-1, J5-2, J5-3, J5-4, J5-5, J5-6, J5-7, J5-8

J5-1, J5-2, J5-3, J5-4, J5-5, J5-6, J5-7, J5-8

J5-1, J5-2, J5-3, J5-4, J5-5, J5-6, J5-7, J5-8

J5-1, J5-2, J5-3, J5-4, J5-5, J5-6, J5-7, J5-8

J5-1, J5-2, J5-3, J5-4, J5-5, J5-6, J5-7, J5-8

J5-1, J5-2, J5-3, J5-4, J5-5, J5-6, J5-7, J5-8

J5-1, J5-2, J5-3, J5-4, J5-5, J5-6, J5-7, J5-8

J5-1, J5-2, J5-3, J5-4, J5-5, J5-6, J5-7, J5-8

J5-1, J5-2, J5-3, J5-4, J5-5, J5-6, J5-7, J5-8

J5-1, J5-2, J5-3, J5-4, J5-5, J5-6, J5-7, J5-8

Pressure switch

Heating element

Pressure switch

Pressure switch

Pressure switch

Pressure switch

Drain pump

Door locked lamp