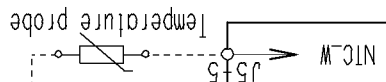
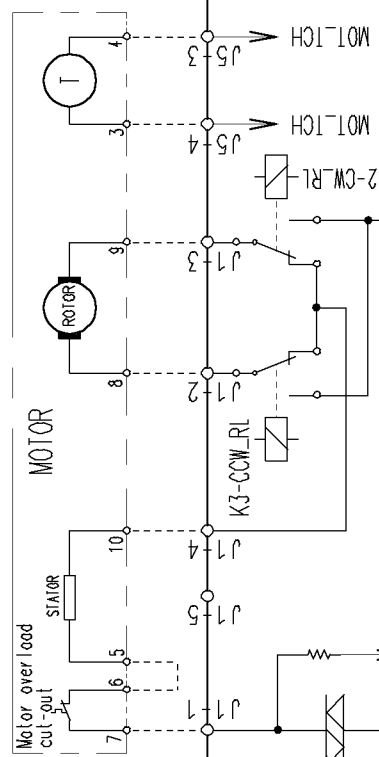
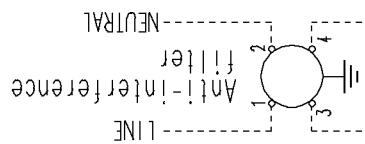
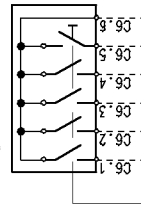
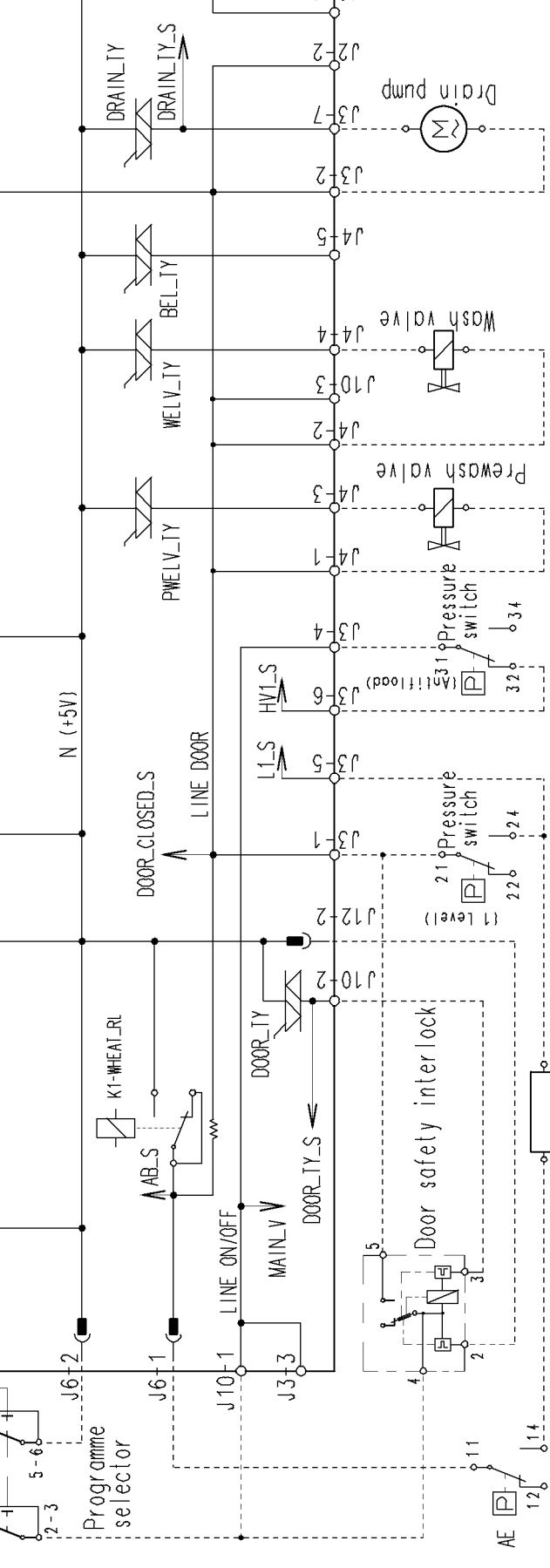


Programme selector



# MAIN BOARD



Heating element

Pressure switch

Door safety interlock