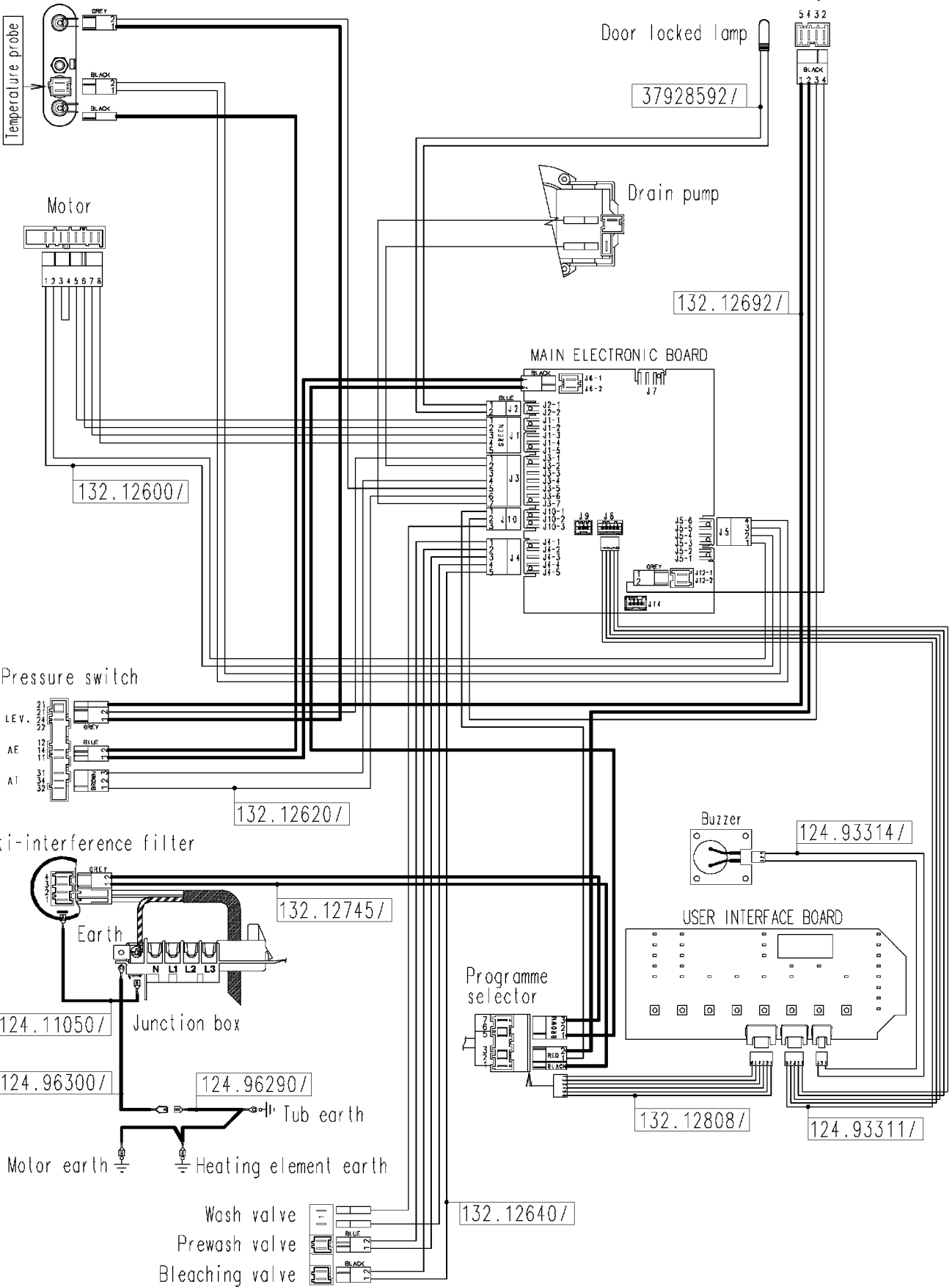


Heating elements (washing)

Door safety interlock



Temperature probe

Door locked lamp

37928592/

5 4 3 2
BLACK
1 2 3 4

Motor

Drain pump

132.12692/

MAIN ELECTRONIC BOARD

132.12600/

Pressure switch

1 LEV. 2 1
2 1
3 2
5 2
AE 12 1
14 1
11 1
AT 12 1
14 1
11 1

132.12620/

Anti-interference filter

Buzzer

124.93314/

Earth

132.12745/

124.11050/

Junction box

124.96300/

124.96290/

Tub earth

Motor earth

Heating element earth

Programme selector

USER INTERFACE BOARD

132.12808/

124.93311/

Wash valve
Prewash valve
Bleaching valve

132.12640/