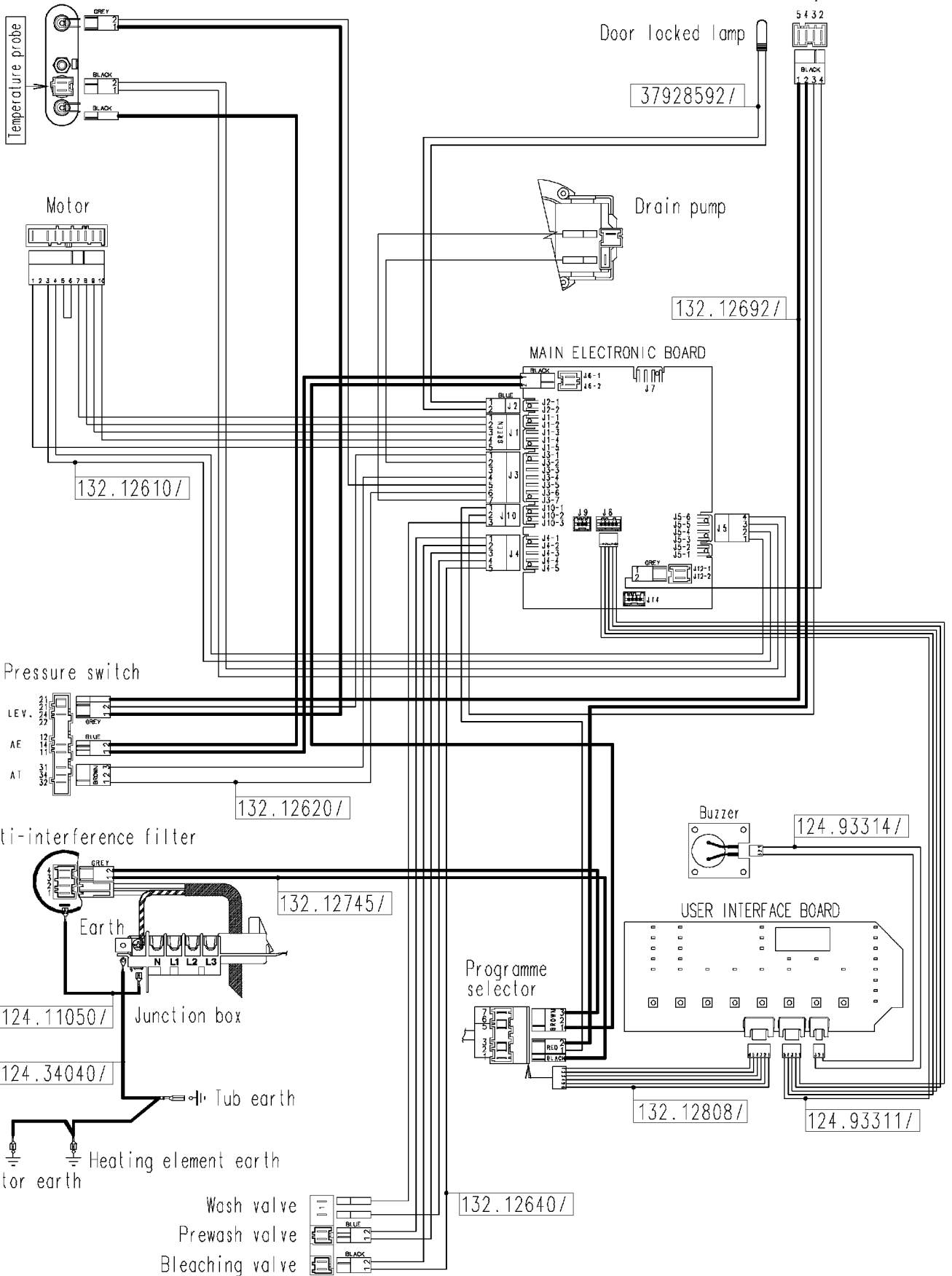
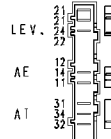


Heating elements (washing)

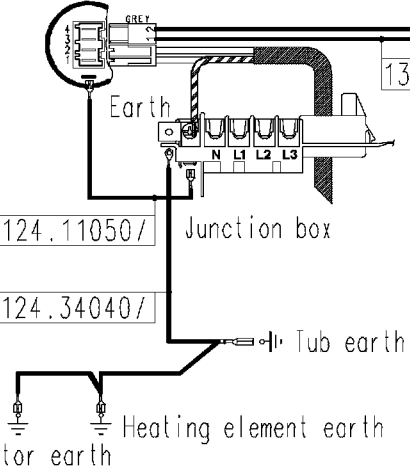
Door safety interlock



Pressure switch

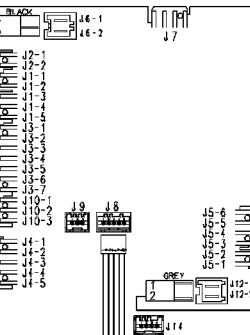


Anti-interference filter

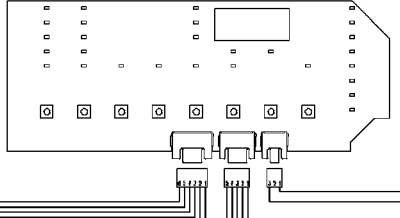


Wash valve
 Prewash valve
 Bleaching valve

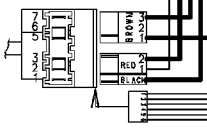
MAIN ELECTRONIC BOARD



USER INTERFACE BOARD



Programme selector



Buzzer



Door locked lamp

37928592/

Drain pump

132.12692/

132.12610/

132.12620/

132.12745/

124.93314/

132.12808/

124.93311/

132.12640/