

Anti-interference filter

Pilot lamp

ON/OFF button

Door safety interlock

Pressure switch AE-1

Heating element (washing)

Pressure switch AE-2

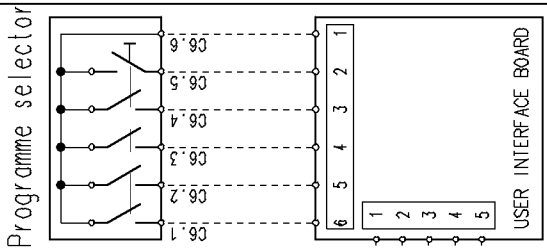
Analogic pressure level

Temperature probe (washing)

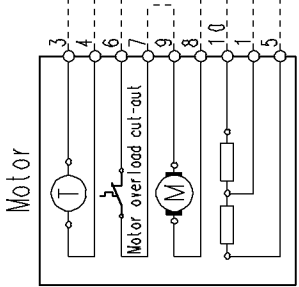
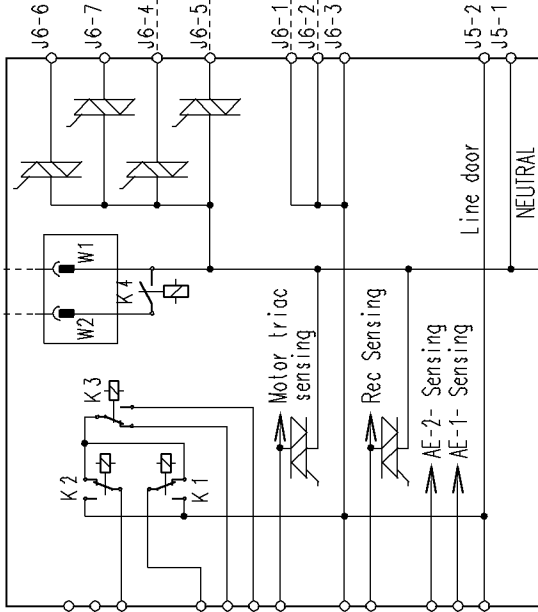
Drain pump

Line ON/OFF

MAIN ELECTRONIC BOARD



Clock J9-5
 Rx J9-4
 Tx J9-3
 GND J9-2
 +5 V J9-1



ON/OFF button

N

L