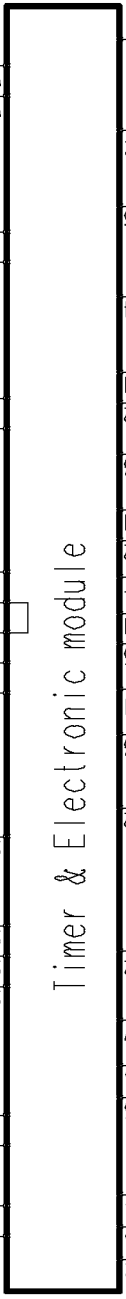
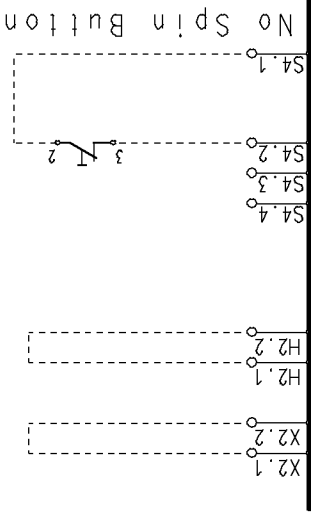
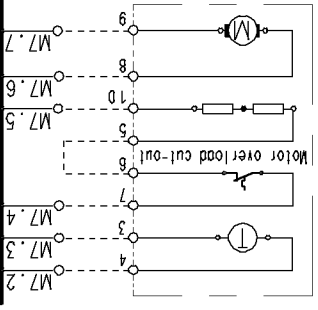


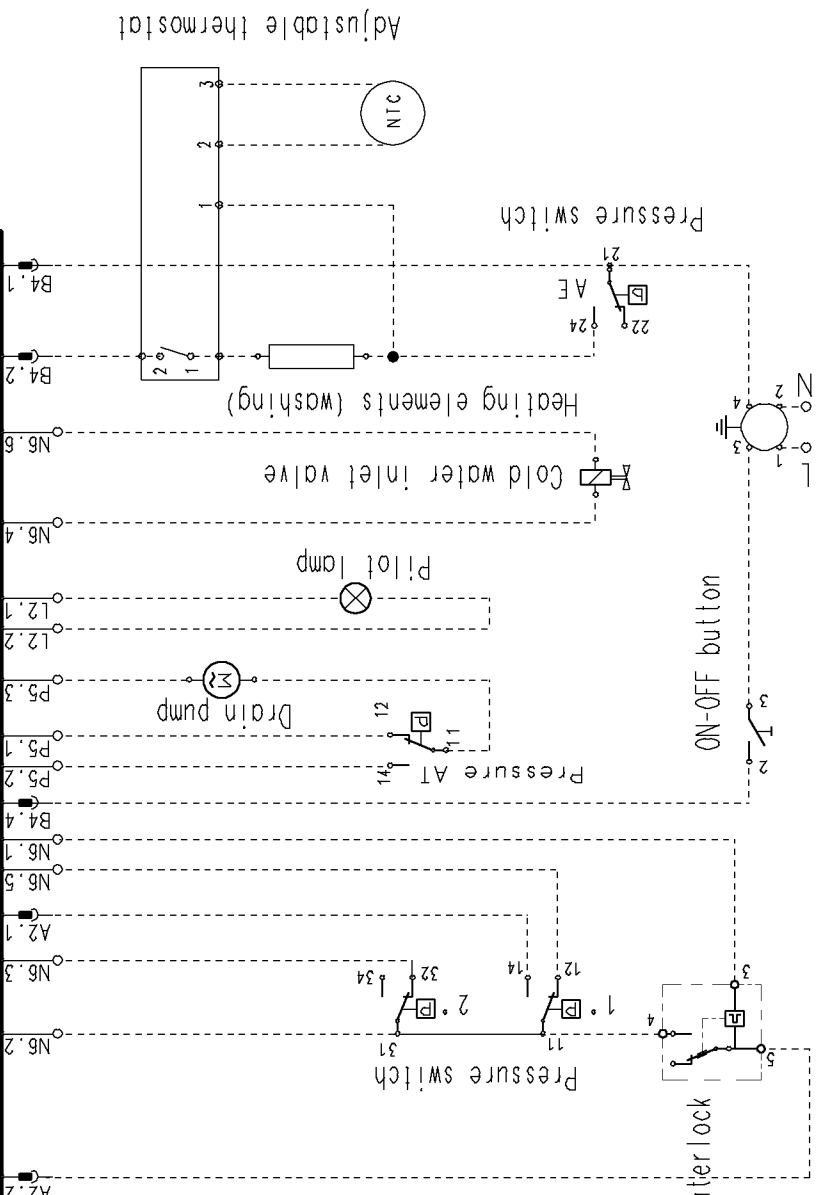
Rinse Hold Button Super Rinse button



Timer & Electronic module

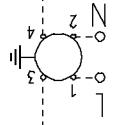


Motor



Door safety interlock

ON-OFF button



Adjustable thermostat

Pressure switch

Heating elements (washing)

Cold water inlet valve

Pilot lamp

Drain pump

Pressure switch

